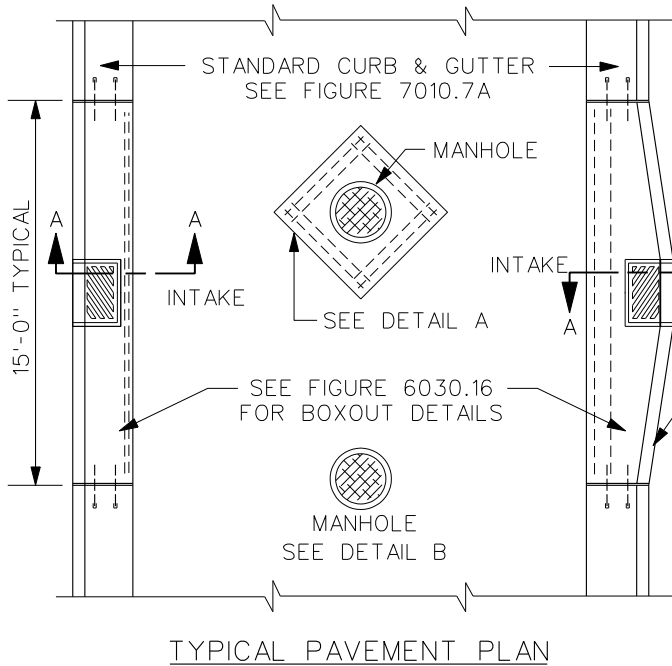


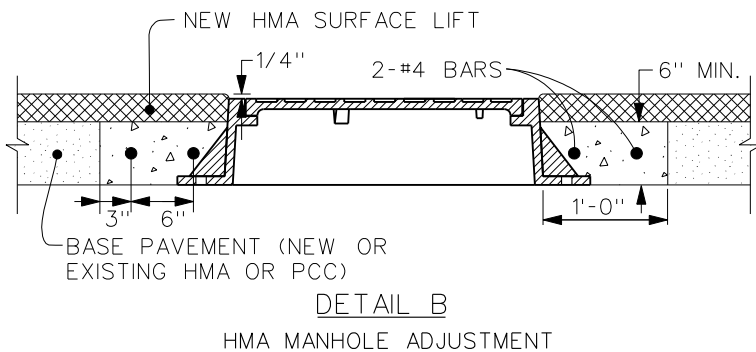
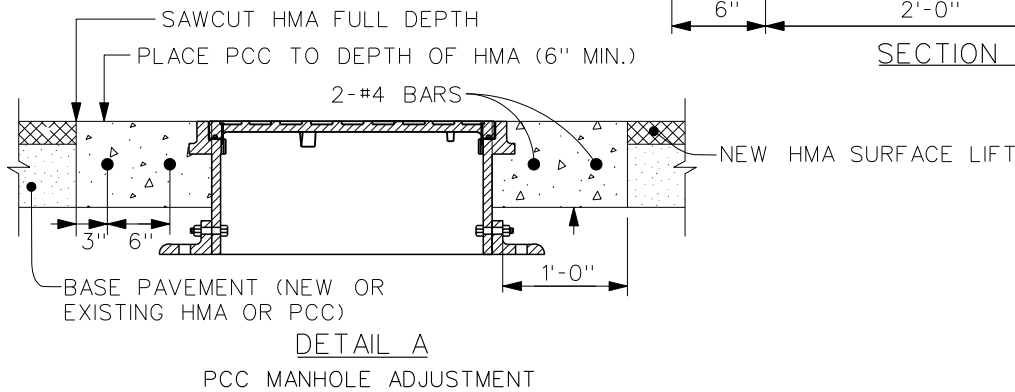
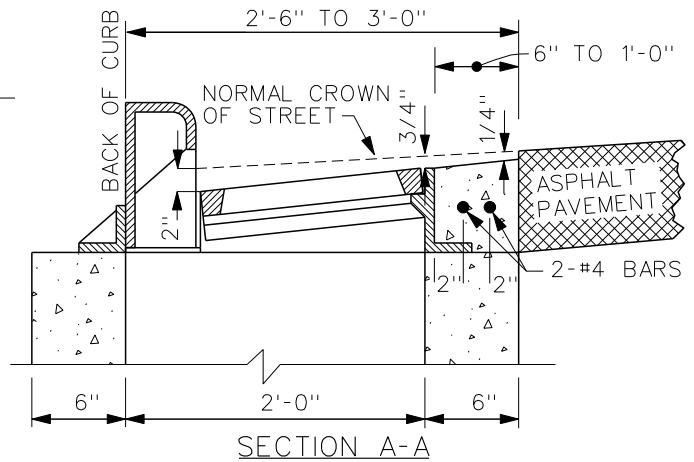
# SUDAS STANDARD SPECIFICATIONS



**GENERAL NOTES:**

1. ADJUST MANHOLES ACCORDING TO SECTION 6020
2. CLEAN AND SPRAY THE FACE OF GUTTER EDGE WITH A TACK COAT.
3. ROUNDOUT MAY BE USED IF EDGES ARE SAWED, AND ALSO APPROVED BY JURISDICTIONAL ENGINEER.

OFFSET BACK OF INTAKE FROM NORMAL BACK OF CURB AS REQUIRED TO MAINTAIN ALIGNMENT OF INSIDE EDGES OF BOXOUT AND GUTTER.



**NOTES FOR DETAIL B:**

1. PRIOR TO PLACEMENT OF SURFACE LIFT, REMOVE PAVEMENT TO 1'-0" (MIN.) OUTSIDE OF MANHOLE OPENING.
2. INSTALL ADJUSTING RINGS AND MANHOLE FRAME SO TOP OF FRAME IS APPROXIMATELY 1/4" BELOW THE FINISHED SURFACE ELEVATION.
3. POUR PCC BOXOUT FLUSH WITH TOP OF BASE.
4. PLACE SURFACE LIFT, COMPACTING AROUND MANHOLE FRAME.

3	10/18/05		<b>MANHOLE &amp; GRATE INTAKE BOXOUTS IN HMA PAVEMENT</b>	FIGURE: 7020.3
REV.	DATE	BY		SHEET 1 OF 1
DATE: 01-01-98				