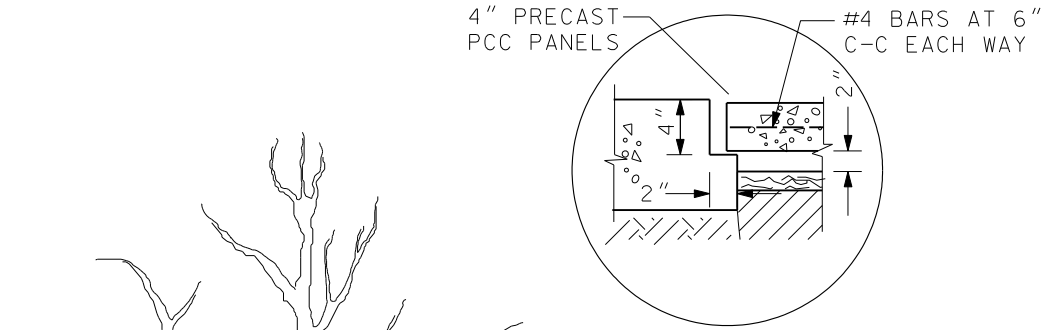
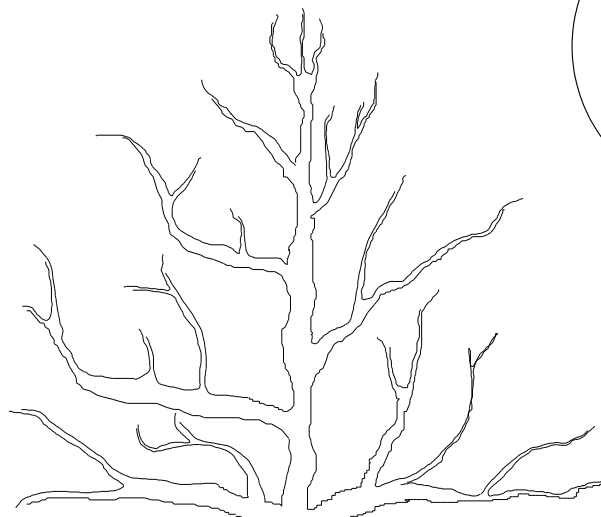


SUDAS STANDARD SPECIFICATIONS



DETAIL A

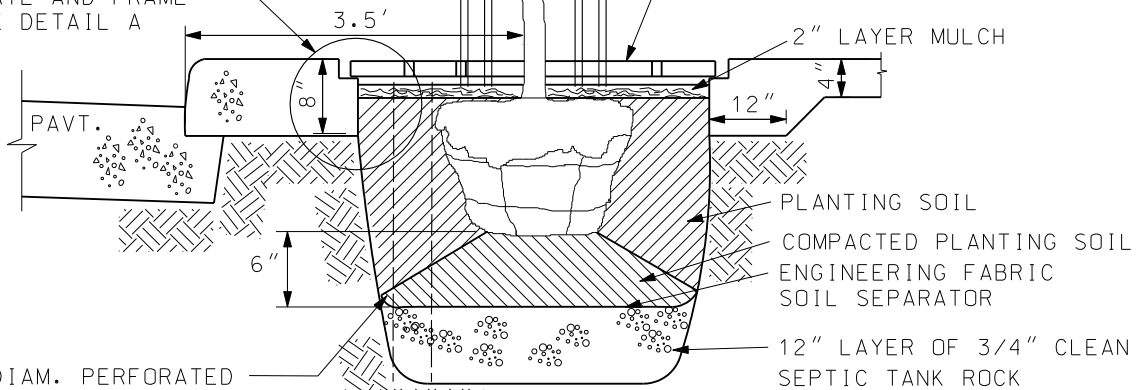


OPTIONAL
TREE GUARD

1. AT INTERSECTIONS, TREES SHALL BE PLANTED AS PER PLAN OR OTHERWISE APPROVED BY ENGINEER.
2. FOR PLANTING DETAILS FIGURE 9030.1

TREE GRATE & FRAME
(WITH SUBGRADE LIGHTING)
TREE GRATE TO BE A MINIMUM
OF 5' SQUARE WITH MIN. 15"
DIA. TREE OPENING.

FOR ALTERNATE TO
GRATE AND FRAME
SEE DETAIL A



4" DIAM. PERFORATED
P.V.C. INSPECTION PIPE
WITH ALUMINUM WINDOW
SCREEN COVER.

NOTE:
REMOVE TOP ONE-THIRD OF ALL
TWINE, BURLAP, AND WIRE BASKET
FROM ROOTBALL.

1	10/2002		SIDEWALK TREE WELL	FIGURE: 9030.5
REV.	DATE	BY		SHEET 1 OF 1
DATE: 04-04-97				