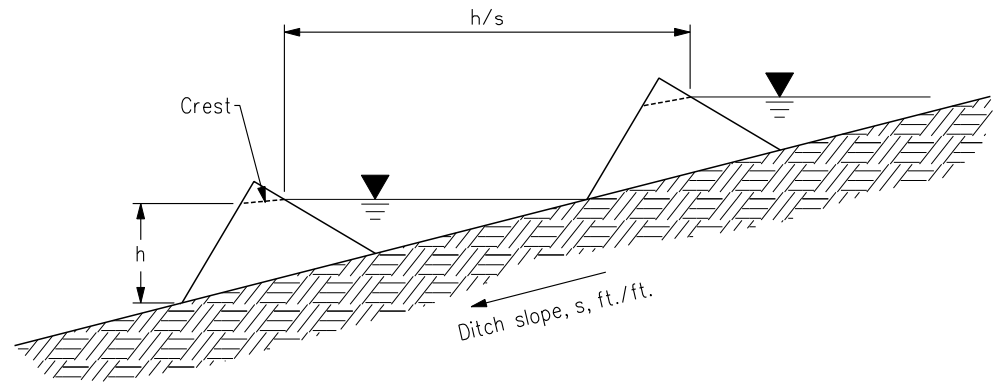
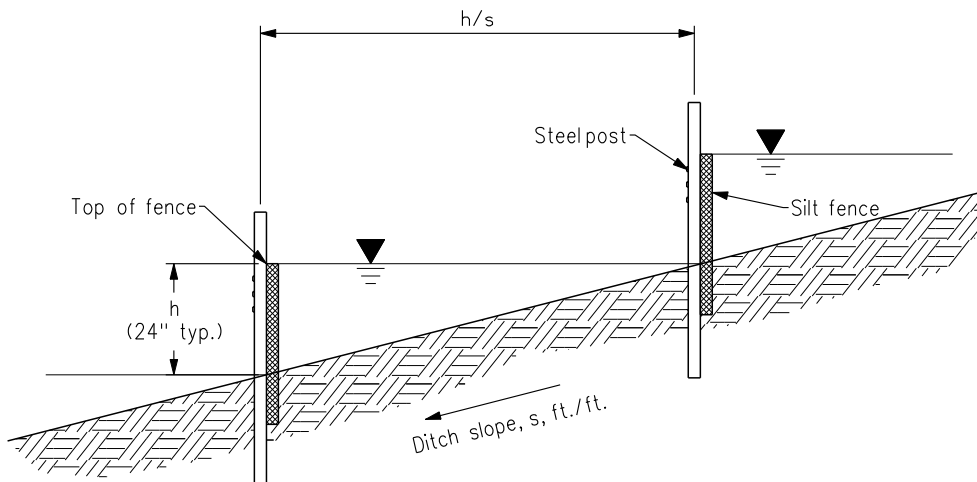


ROCK CHECK DAM
 (See Figure 9040.7 for installation
 of Rock Check Dams.)



MANUFACTURED CHECK DAM
 (Synthetic Permeable and Triangular Foam Check Dam)




SILT FENCE CHECK DAM (DITCH CHECK)
 (See Figure 9040.19 for installation
 of Silt Fence Ditch Checks.)

GENERAL NOTES:

This figure depicts the typical spacing for check dams. Space check dams in accordance with this figure, unless indicated otherwise in the contract documents.

FIGURE 9040.6

SHEET 1 OF 1

 SUDAS	REVISION	
	NEW	10/17/06
	FIGURE 9040.6	
SHEET 1 OF 1		

CHECK DAM SPACING