
TEMPORARY SIDEWALK ACCESS**PART 1 - GENERAL****1.01 SECTION INCLUDES**

- A. Temporary Residential Access
- B. Temporary Granular Sidewalk
- C. Temporary Longitudinal Channelizing Device

1.02 DESCRIPTION OF WORK

- A. Construct a temporary access to residential properties impacted by construction.
- B. Construct a granular surfaced, temporary, public sidewalk.
- C. Construct temporary longitudinal channelizing device along a public sidewalk to delineate the pedestrian access route.

1.03 SUBMITTALS

Comply with Division 1 - General Provisions and Covenants.

1.04 SUBSTITUTIONS

Comply with Division 1 - General Provisions and Covenants.

1.05 DELIVERY, STORAGE, AND HANDLING

Comply with Division 1 - General Provisions and Covenants.

1.06 SCHEDULING AND CONFLICTS

Comply with Division 1 - General Provisions and Covenants.

1.07 SPECIAL REQUIREMENTS

None.

1.08 MEASUREMENT AND PAYMENT**A. Temporary Pedestrian Residential Access:**

1. **Measurement:** Granular surfacing for temporary pedestrian residential access will be measured in square yards.
2. **Payment:** Payment for temporary pedestrian residential access will be made at the unit price per square yard.
3. **Includes:** The unit price for temporary pedestrian residential access includes, but is not limited to, supplying and placing granular material, continuous maintenance of granular surface, removal of temporary granular sidewalk, and restoring disturbed surfaces to a condition equal to that which existed prior to construction.

1.08 MEASUREMENT AND PAYMENT (Continued)**B. Temporary Granular Sidewalk:**

1. **Measurement:** Temporary granular sidewalk will be measured in square yards.
2. **Payment:** Payment for temporary granular sidewalk will be made at the unit price per square yard.
3. **Includes:** The unit price for temporary granular sidewalk includes, but is not limited to, excavation, grading, timber edging, supplying and placing granular material, continuous maintenance of granular surface, removal of temporary granular sidewalk, and restoring disturbed surfaces to a condition equal to that which existed prior to construction.

C. Temporary Longitudinal Channelizing Device:

1. **Measurement:** Temporary longitudinal channelizing device will be measured in linear feet along the top rail support.
2. **Payment:** Payment for longitudinal channelizing device will be made at the unit price per linear foot.
3. **Includes:** The unit price for temporary longitudinal channelizing device includes, but is not limited to, construction, placement, maintenance, and removal of the device.

PART 2 - PRODUCTS**2.01 GRANULAR SURFACING**

Provide fine limestone complying with [Iowa DOT Article 4109.02](#), [Gradation No. 8](#) in the Aggregate Gradation Table and the quality requirements of [Iowa DOT Article 4117.03](#) for temporary residential access or a temporary granular sidewalk.

2.02 TEMPORARY LONGITUDINAL CHANNELIZING DEVICE

- A. Construct channelizing device from common dimensional lumber and construction fasteners. Comply with [Figure 11040.102](#).
- B. Provide a manufactured pedestrian guidance system complying with the requirements of the *American's with Disabilities Act Accessibility Guidelines for Buildings and Facilities* (ADAAG) and the MUTCD.
- C. Other alternatives that comply with the ADAAG and MUTCD requirements may be allowed upon approval of the Engineer.

PART 3 - EXECUTION**3.01 TEMPORARY PEDESTRIAN RESIDENTIAL ACCESS**

This item is for the construction of a temporary granular path through the project area for pedestrian access to residential properties when street and sidewalk access area is impacted by construction. This access is not intended to provide access to the general public.

- A. Construct a 4 foot wide granular path through the project area as required to maintain access to residential properties.
- B. Place granular material directly on the existing surface to a nominal depth of 3 inches.
- C. Grade the granular surface smooth and compact.
- D. Maintain the surface of the path in a firm, stable, and slip resistant condition.
- E. Relocate or replace path as required by construction staging.
- F. Place additional granular material as directed by the Engineer.

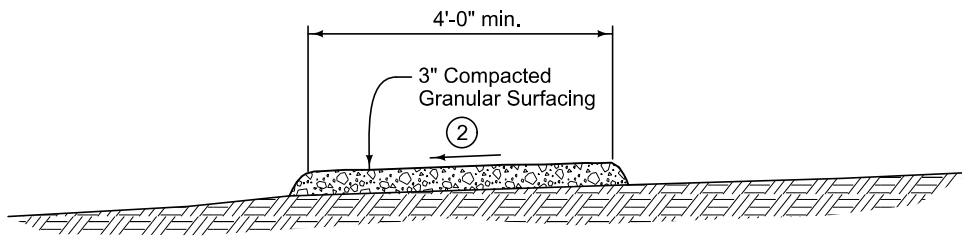
3.02 TEMPORARY GRANULAR SIDEWALK

- A. Construct temporary granular sidewalk at locations specified in the contract documents.
- B. Excavate existing ground surface to a nominal depth of 4 inches. Install 2 by 4 edging along both sides of the excavation.
- C. Place granular surfacing between edging and compact.
- D. Maintain the surface of the granular sidewalk in a firm, stable, and slip resistant condition.
- E. Place additional granular material as directed by the Engineer.

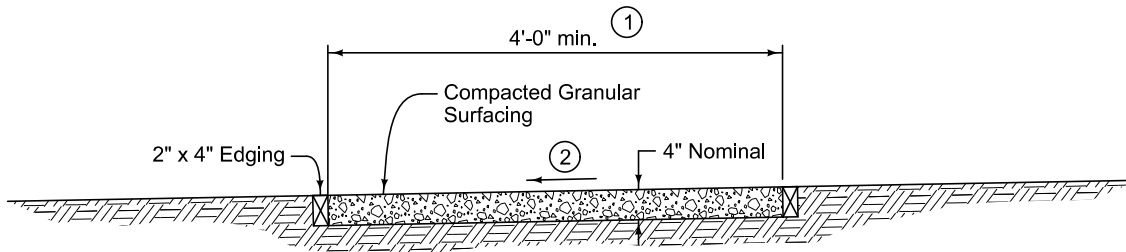
3.03 TEMPORARY LONGITUDINAL CHANNELIZING DEVICE

- A. Construct temporary longitudinal channelizing device according to [Figure 11040.102](#), or erect manufactured or other approved pedestrian railing system.
- B. Locate device as specified in the contract documents.
- C. Add additional posts, braces, base plates, screws, nails, sandbags, or other appurtenances as required to maintain device in a stable condition at no additional cost to the Contracting Authority.

END OF SECTION




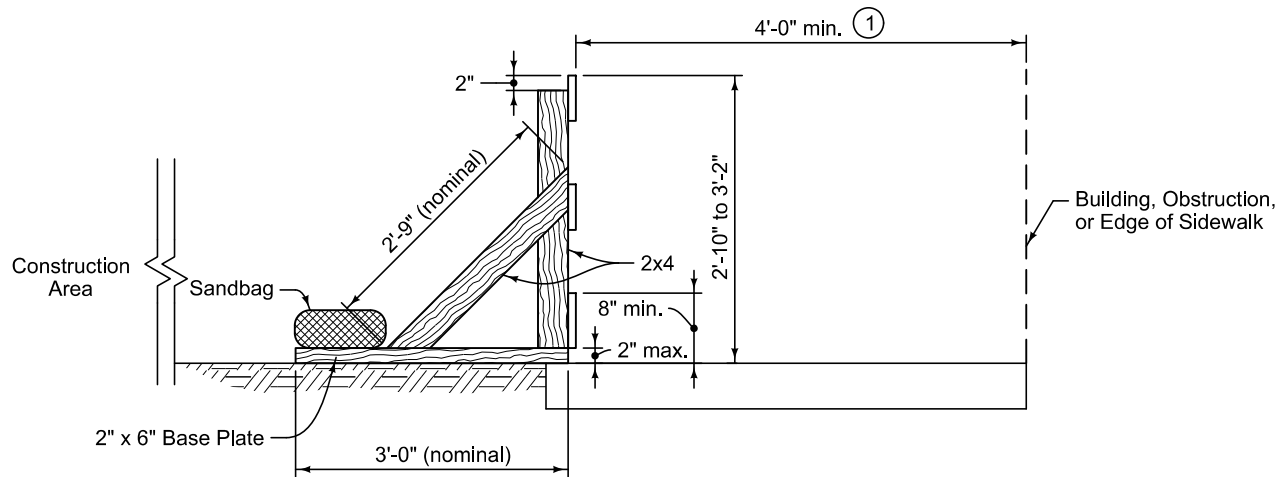
TEMPORARY RESIDENTIAL ACCESS



TEMPORARY GRANULAR SIDEWALK

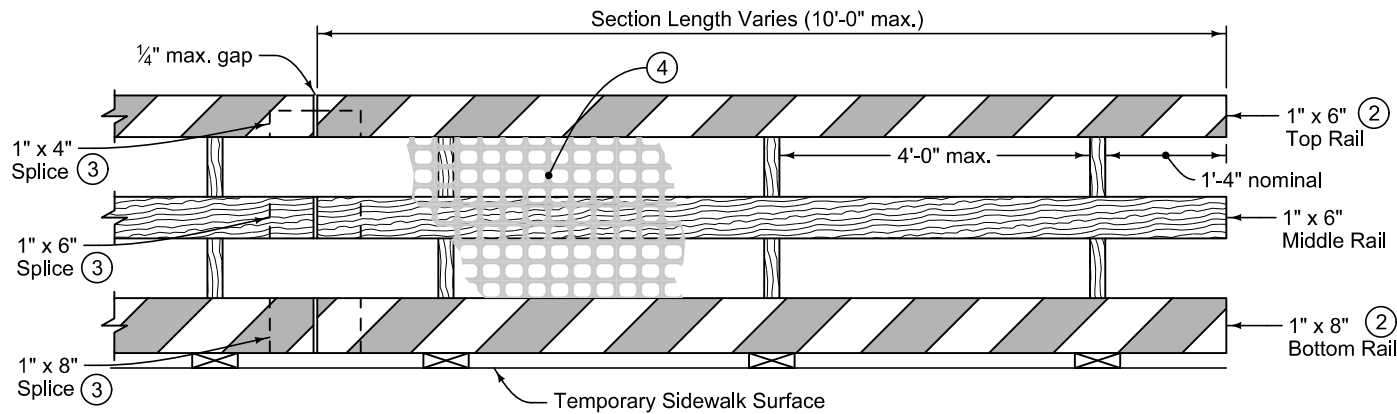
- ① If sidewalk width is less than 5 feet, provide 5 foot long by 5 foot wide passing spaces at 200 foot intervals.
- ② Target cross slope of 1.5% with a maximum cross slope of 2%.

	REVISION
	1 10-18-16
	SUDAS 11040.101 SHEET 1 of 1
SUDAS Standard Specifications	
TEMPORARY GRANULAR SIDEWALK AND TEMPORARY RESIDENTIAL ACCESS	




END VIEW

- ① If sidewalk width is less than 5 feet, provide 5 foot long by 5 foot wide passing spaces at 200 foot intervals.
- ② Provide non-reflective orange and white sheeting on top and bottom rails.
- ③ Attach 12 inch long splice boards on the back side of rails at joints between sections.
- ④ When specified in the contract documents, install orange construction safety fence between the top of the bottom rail and the bottom of the top rail.



FRONT VIEW

	REVISION
	1 10-18-16
SUDAS	11040.102
SHEET 1 of 1	
SUDAS Standard Specifications	
TEMPORARY PEDESTRIAN CHANNELIZING DEVICE	

