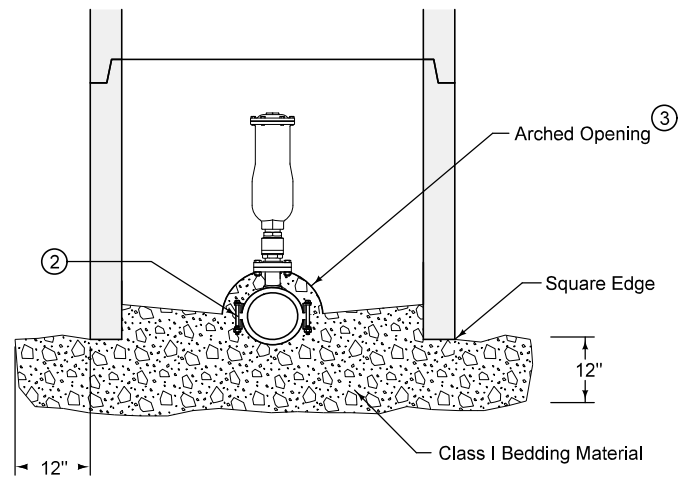


TYPICAL SECTION



SECTION A-A

- ① SW-601 Type A or SW-602 Type G casting.
- ② Place bedding material to springline of pipe.
- ③ Prevent riser from bearing on pipe by providing an arched opening with a diameter up to 6 inches larger than pipe diameter.

FIGURE 4010.202 SHEET 1 OF 1

SUDAS	IOWADOT	REVISION
		2 04-21-20
FIGURE 4010.202	STANDARD ROAD PLAN	SW-202
		SHEET 1 of 1
REVISIONS: Changed 1 to 1 on Bedding Material		
Paul D. Wigand SUDAS DIRECTOR		Stuart M. Nelson DESIGN METHODS ENGINEER
SEWAGE AIR RELEASE VALVE PIT		