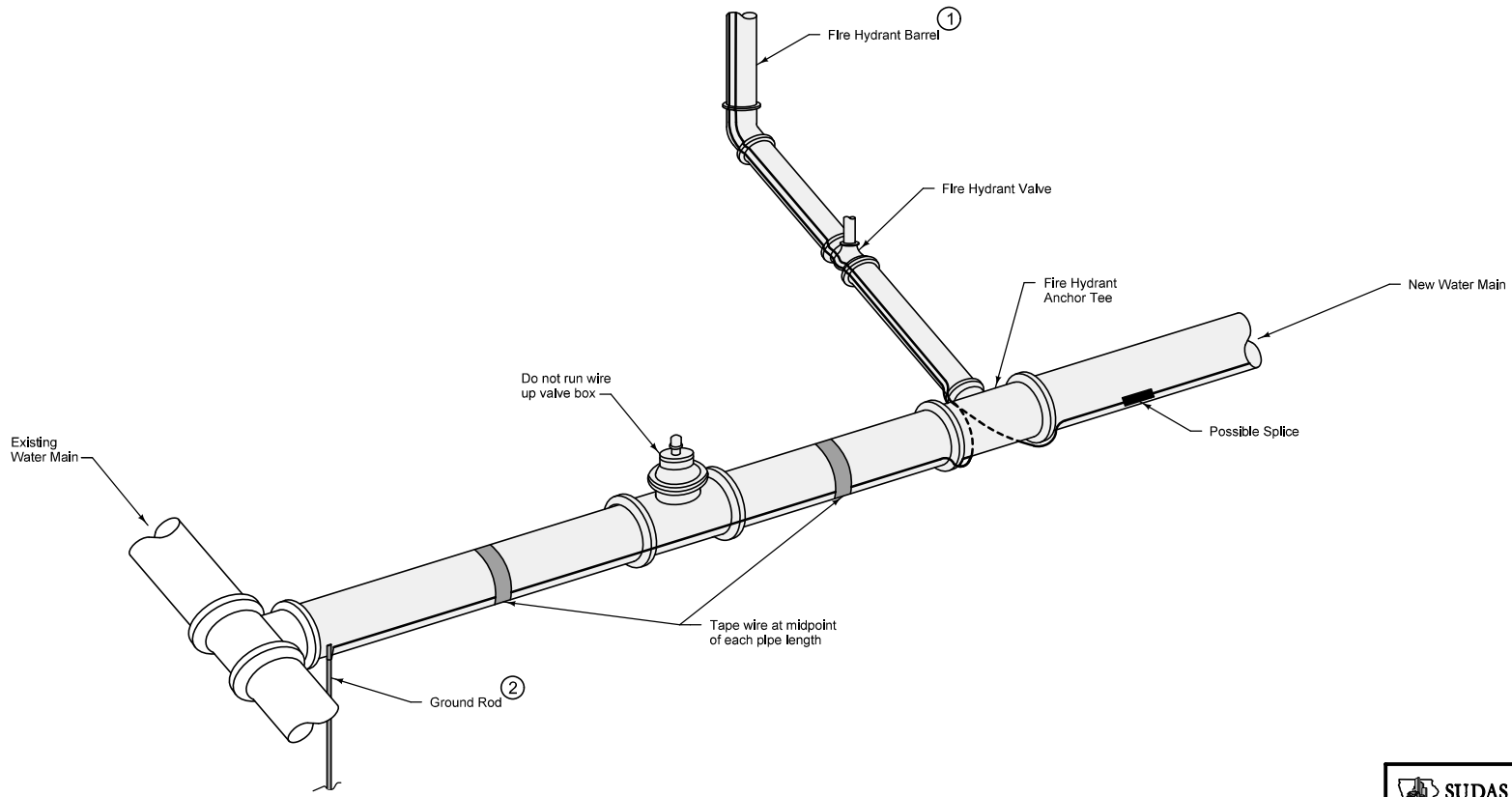


- ① Extend tracer wire up fire hydrant barrel to internal terminals of tracer wire station and back down. Refer to WM-201 for details of fire hydrant assembly.
- ② Clamp tracer wire to ground rod at system termination points.



TYPICAL INSTALLATION

FIGURE 5010.102 | SHEET 1 OF 1

| | | | |
|---|--------------------|--|----------|
| SUDAS | IOWADOT | REVISION | |
| | | 1 | 10-18-16 |
| FIGURE 5010.102 | STANDARD ROAD PLAN | WM-102 | |
| | | SHEET 1 of 1 | |
| <small>REVISIONS: Replaced Iowa DOT and SUDAS logos with new logos.</small> | | | |
| <small>PAUL D. WIGAND</small> <small>SUDAS DIRECTOR</small> | | <small>BRIAN SMITH</small> <small>DESIGN METHODS ENGINEER</small> | |
| TRACER SYSTEM | | | |