

If manhole depth exceeds 20 feet, install steps.

Install infiltration barrier.

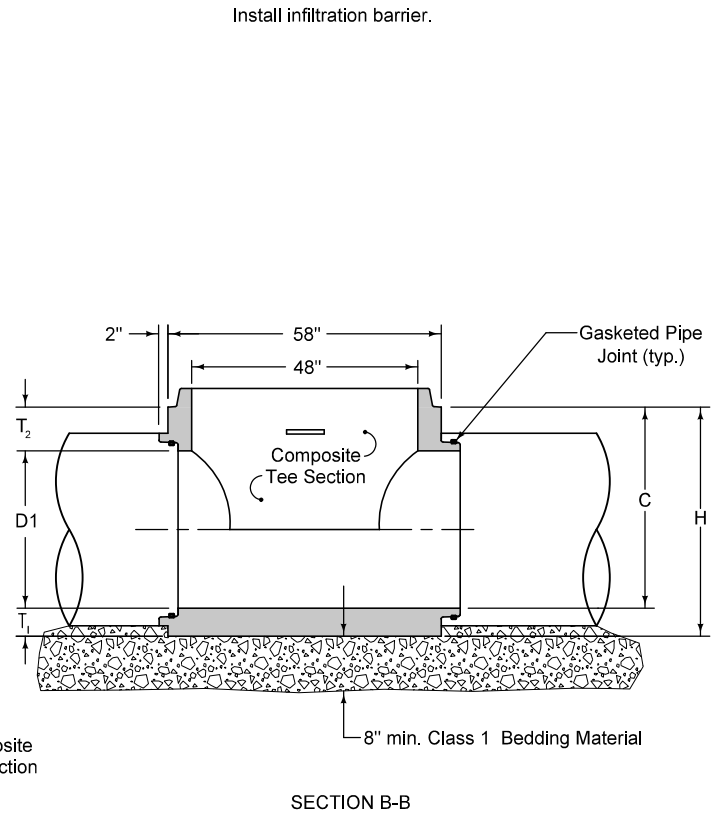
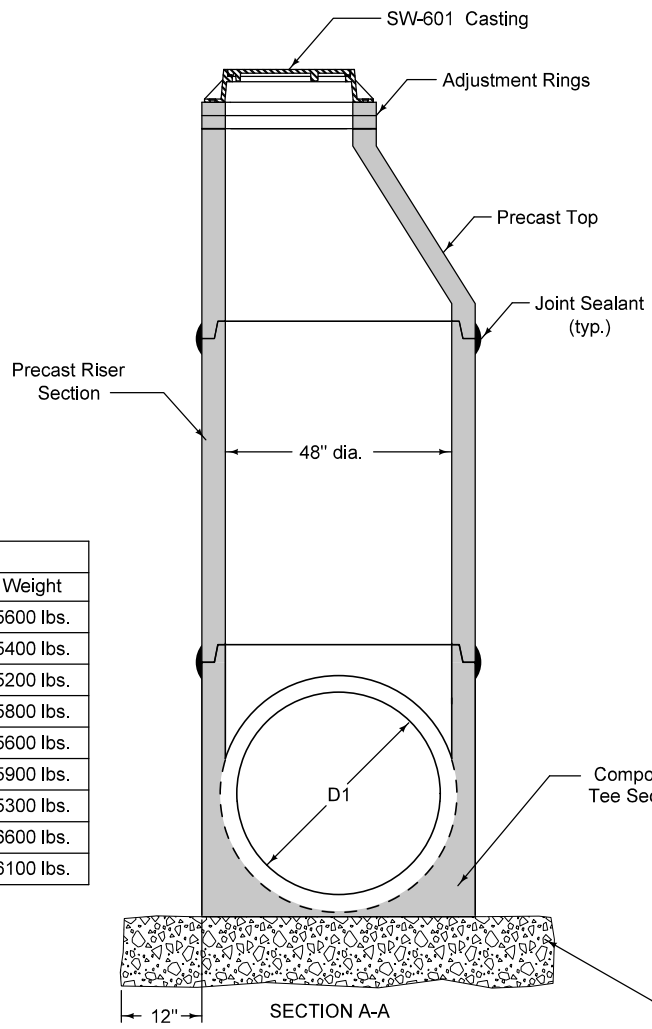
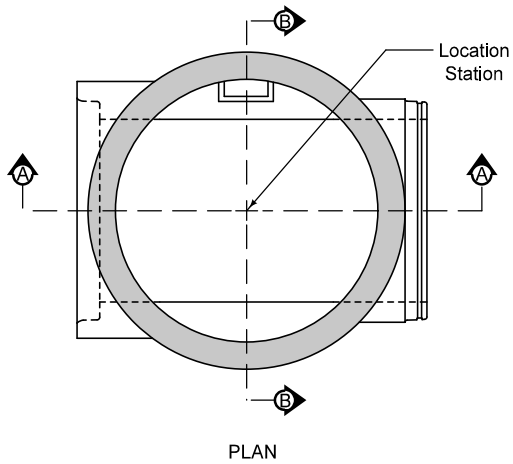
- ① For sewer pipes less than 48 inches in diameter, install eccentric reducers/increasers with a standard tee or utilize a composite tee.
- ② When specified, provide an eccentric flat top in lieu of eccentric cone section.

TYPICAL SECTION

STANDARD TEE ①

FIGURE 6010.305 | SHEET 1 OF 2

SUDAS	IOWADOT	REVISION
		4 10-18-22
FIGURE 6010.305	STANDARD ROAD PLAN	<b>SW-305</b>
		SHEET 1 of 2
REVISIONS: Added circle note 2.		
Paul D. Wigand SUDAS DIRECTOR		Scott Miller DESIGN METHODS ENGINEER
<b>TEE-SECTION SANITARY SEWER MANHOLE</b>		



COMPOSITE TEE DIMENSIONS						
Size	D1	H	T <sub>1</sub>	T <sub>2</sub>	C	Weight
48" on 12"	12"	50"	8½"	29½"	41½"	5600 lbs.
48" on 15"	15"	50"	7"	28"	43"	5400 lbs.
48" on 18"	18"	50"	5½"	26½"	44½"	5200 lbs.
48" on 21"	21"	48"	9½"	17½"	38½"	5800 lbs.
48" on 24"	24"	48"	8"	16"	40"	5600 lbs.
48" on 27"	27"	48"	9½"	11½"	38½"	5900 lbs.
48" on 30"	30"	48"	8"	10"	40"	5300 lbs.
48" on 33"	33"	54"	9½"	11½"	44½"	6600 lbs.
48" on 36"	36"	54"	8"	10"	46"	6100 lbs.



COMPOSITE TEE

Alternate to standard tee with eccentric reducer (for pipes 36" and smaller).

SUDAS IOWADOT	REVISION 4 10-18-22
	FIGURE 6010.305 STANDARD ROAD PLAN <b>SW-305</b> SHEET 2 of 2
REVISIONS: Added circle note 2.	
Paul D. Wigand SUDAS DIRECTOR	
Stuart Miller DESIGN METHODS ENGINEER	
<b>TEE-SECTION SANITARY SEWER MANHOLE</b>	