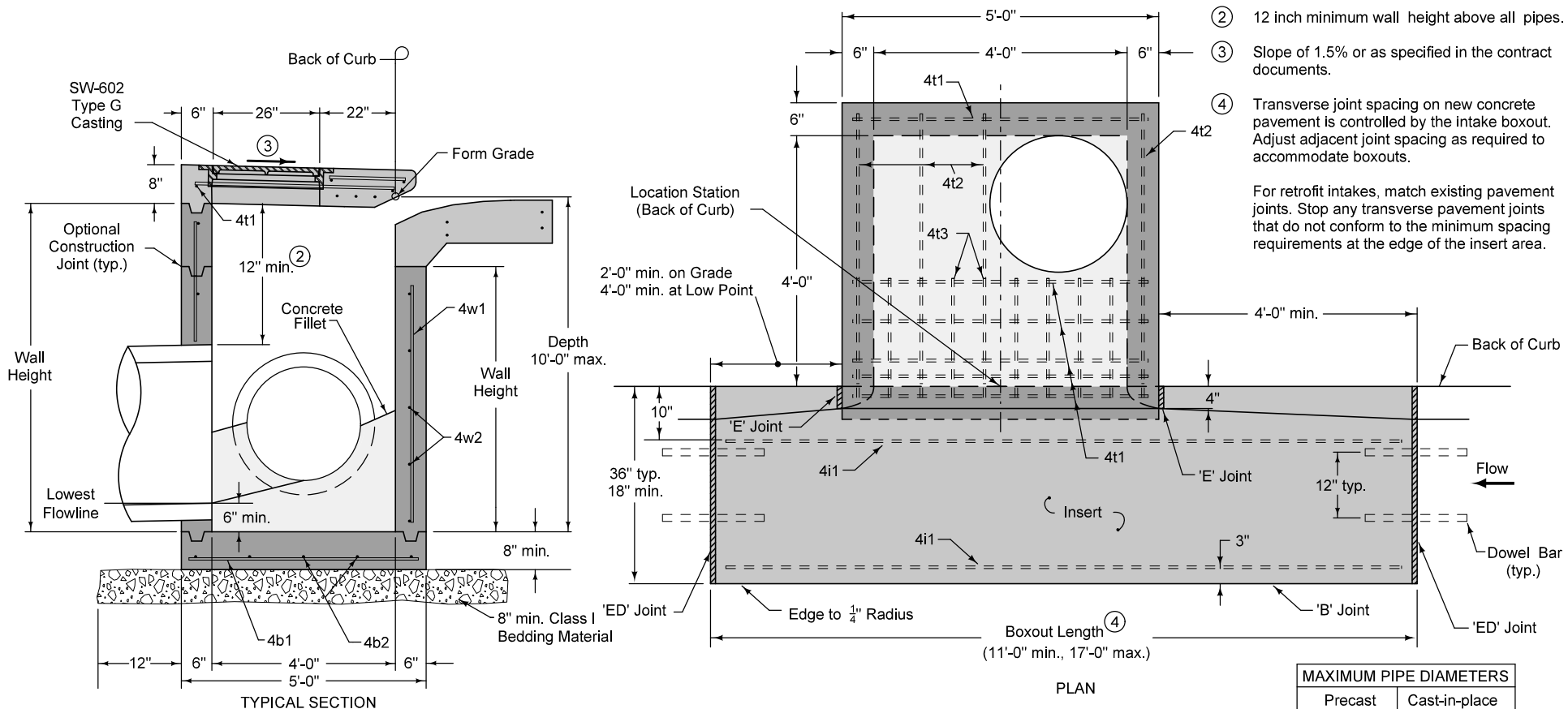


① Insert shaping may be modified for insert widths less than 36 inches. For an 18 inch insert, reduce dimensions indicated by $\frac{1}{2}$ inch.

FIGURE 6010.508 SHEET 1 OF 2

SUDAS	IOWADOT	REVISION
		4 04-21-20
FIGURE 6010.508	STANDARD ROAD PLAN	SW-508
		SHEET 1 of 2
REVISIONS: Added Class I Bedding Material and changed maximum box out length to 17".		
<i>Paul D. Wiegand</i> SUDAS DIRECTOR		<i>Shawn Miller</i> DESIGN METHODS ENGINEER
SINGLE OPEN-THROAT CURB INTAKE, LARGE BOX		



- ② 12 inch minimum wall height above all pipes.
 - ③ Slope of 1.5% or as specified in the contract documents.
 - ④ Transverse joint spacing on new concrete pavement is controlled by the intake boxout. Adjust adjacent joint spacing as required to accommodate boxouts.
- For retrofit intakes, match existing pavement joints. Stop any transverse pavement joints that do not conform to the minimum spacing requirements at the edge of the insert area.

MAXIMUM PIPE DIAMETERS	
Precast Structure	Cast-in-place Structure
30"	36"

REINFORCING BAR LIST						
Mark	Size	Location	Shape	Count	Length	Spacing
4t1	4	Top	—	7	4'-8"	See Insert
4t2	4	Top	—	4	4'-6"	12"
4t3	4	Top	—	10	1'-10"	6"
4b1	4	Base	—	6	4'-6"	11"
4b2	4	Base	—	6	4'-6"	11"
4i1	4	Insert	—	4	Boxout Length minus 8"	See Plan
4w1	4	Walls	—	16	Wall Height minus 4"	14"
4w2	4	Walls	—	Varies	4'-8"	12"
4w3	4	Walls	—	Varies	4'-8"	12"

FIGURE 6010.508 SHEET 2 OF 2

SUDAS IOWADOT	FIGURE 6010.508 STANDARD ROAD PLAN	REVISION 4 04-21-20
		SW-508 SHEET 2 of 2
REVISIONS: Added Class I Bedding Material and changed maximum box out length to 17'.		
<i>Paul D. Wigand</i> SUDAS DIRECTOR		<i>Stuart Nade</i> DESIGN METHODS ENGINEER
SINGLE OPEN-THROAT CURB INTAKE, LARGE BOX		