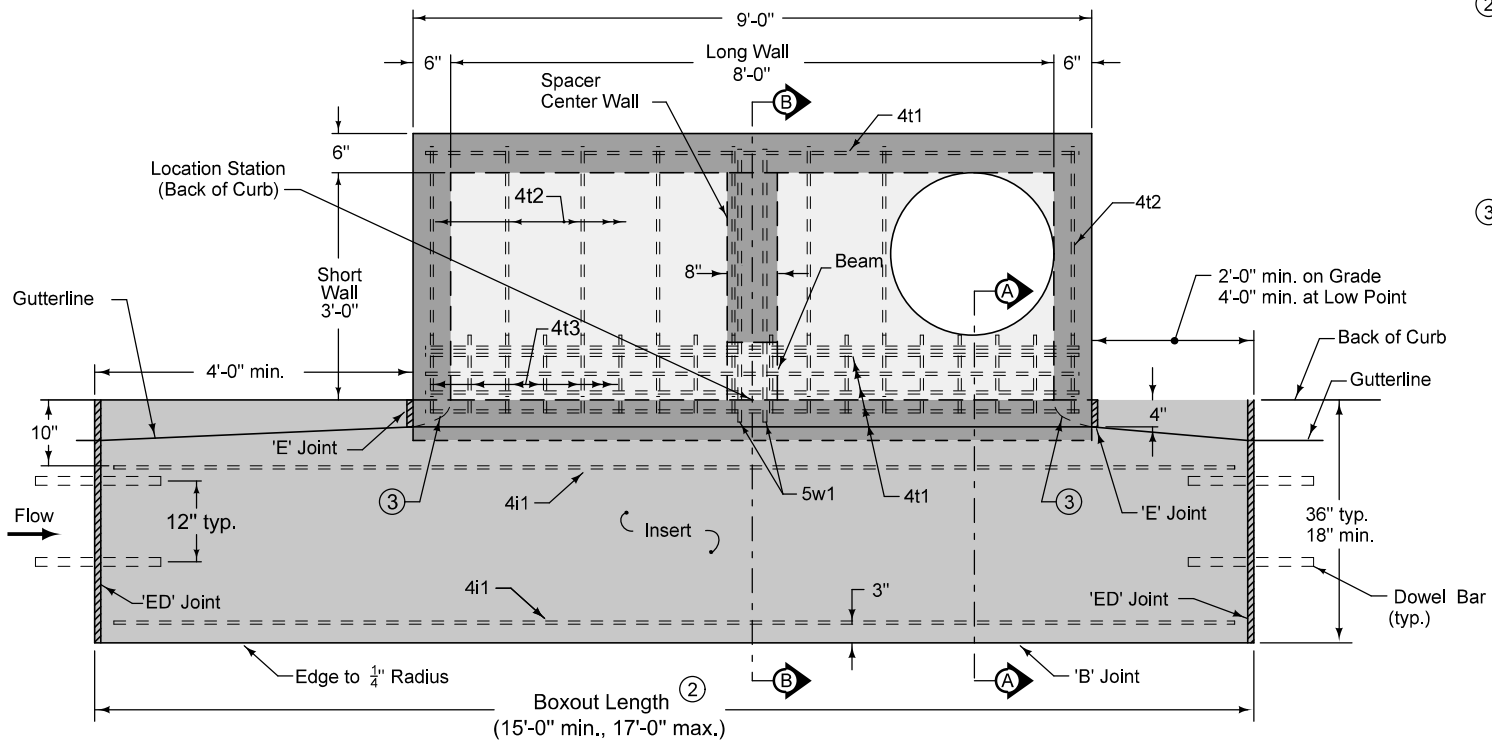


SUDAS	IOWADOT	REVISION
		6 04-21-20
FIGURE 6010.509	STANDARD ROAD PLAN	SW-509
		SHEET 1 of 3
REVISIONS: Added Class 1 Bedding Material and changed maximum box out length to 17'.		
<i>Paul D. Wigand</i> SUDAS DIRECTOR		<i>Steve Nade</i> DESIGN METHODS ENGINEER
DOUBLE OPEN-THROAT CURB INTAKE, SMALL BOX		



PLAN

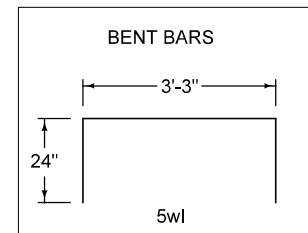
② Transverse joint spacing on new concrete pavement is controlled by the intake boxout. Adjust adjacent joint spacing as required to accommodate boxouts.

For retrofit intakes, match existing pavement joints. Stop any transverse pavement joints that do not conform to the minimum spacing requirements at the edge of the insert area.

③ Rounded shaping at inlet.

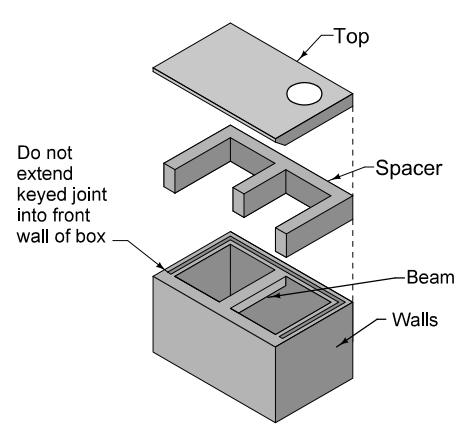
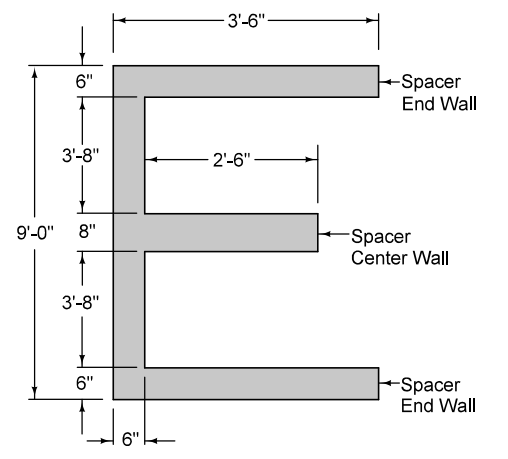
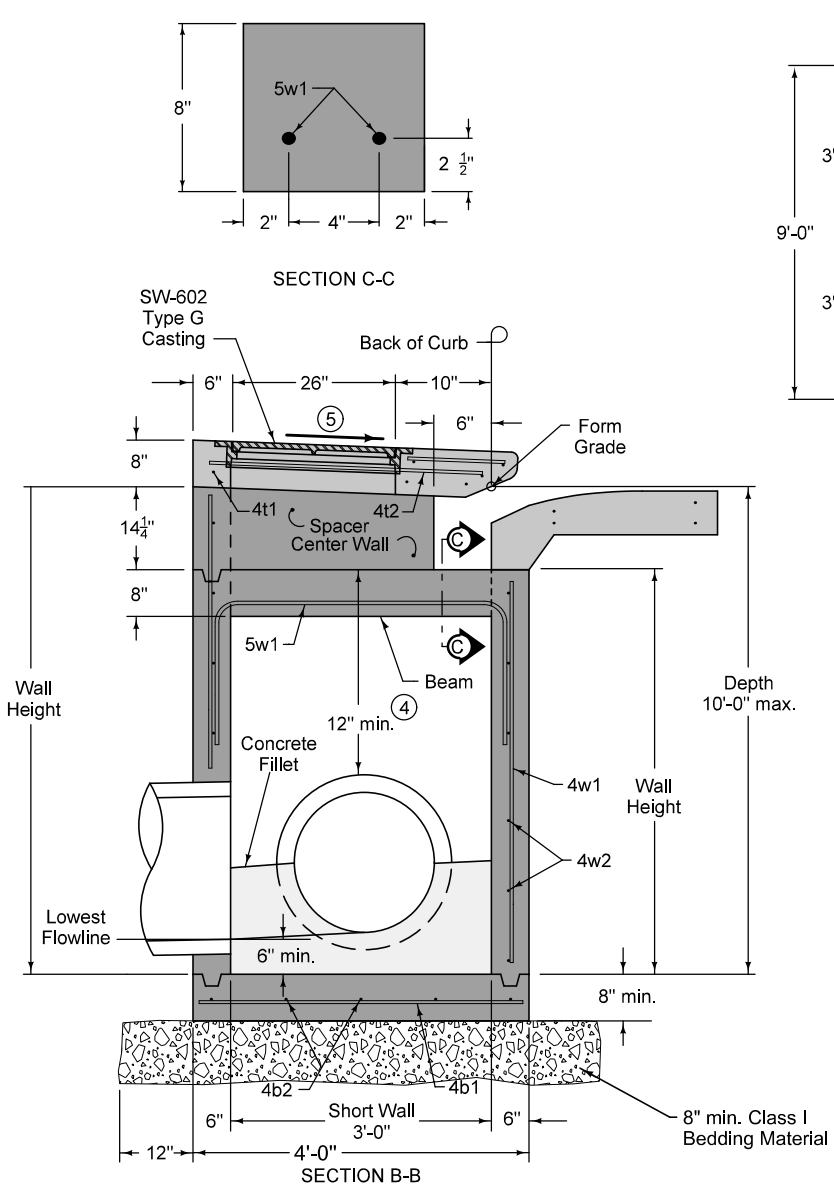
REINFORCING BAR LIST

Mark	Size	Location	Shape	Count	Length	Spacing
4b1	4	Base	—	9	3'-6"	12"
4b2	4	Base	—	5	8'-6"	10"
4i1	4	Insert	—	4	Boxout Length minus 8"	See Insert
4t1	4	Top	—	6	8'-6"	See Plan
4t2	4	Top	—	8	3'-6"	12"
4t3	4	Top	—	18	10"	6"
4w1	4	Walls	—	22	Wall Height minus 4"	13"
4w2	4	Long Walls	—	Varies	4'-8"	12"
4w3	4	Short Walls	—	Varies	3'-8"	12"
5w1	5	Beam	⌊	2	7'-3"	4"



SUDAS	IOWADOT	REVISION	
		6	04-21-20
FIGURE 6010.509	STANDARD ROAD PLAN	SW-509 SHEET 2 of 3	
REVISIONS: Added Class I Bedding Material and changed maximum box out length to 17'.			
<i>Paul D. Wrigand</i> SUDAS DIRECTOR		<i>Shawn Miller</i> DESIGN METHODS ENGINEER	
DOUBLE OPEN-THROAT CURB INTAKE, SMALL BOX			

FIGURE 6010.509 SHEET 2 OF 3



ISOMETRIC
(Refer to SECTION B-B for alignment of Top with Spacer)

- ④ 12 inch minimum wall height above all pipes.
- ⑤ Slope of 1.5% or as specified in the contract documents.

MAXIMUM PIPE DIAMETERS		
Pipe Location	Precast Structure	Cast-in-place Structure
Short Wall	24"	30"
Long Wall	60"	66"

FIGURE 6010.509 SHEET 3 OF 3

SUDAS	IOWADOT	REVISION
		6 04-21-20
FIGURE 6010.509	STANDARD ROAD PLAN	SW-509
		SHEET 3 of 3
REVISIONS: Added Class I Bedding Material and changed maximum box out length to 17'.		
Paul D. Wiegand SUDAS DIRECTOR		Steve Nadeau DESIGN METHODS ENGINEER
DOUBLE OPEN-THROAT CURB INTAKE, SMALL BOX		