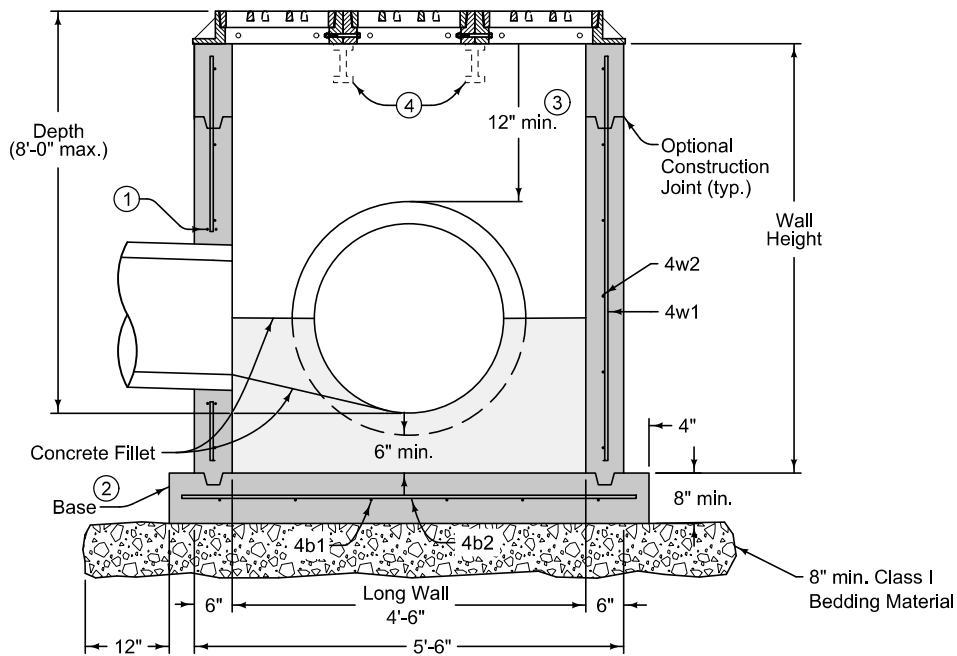


- ① Provide two #4 hoop bars at all pipe openings.
- ② Cast-in-place base shown. If base is precast integral with walls, the footprint of the base is not required to extend beyond the outer edge of the walls.
- ③ 12 inch minimum wall height above all pipes.
- ④ If required by casting manufacturer, provide support beam under all frame joints. Modify structure walls as required to provide pocket for beam.

FIGURE 6010.515 SHEET 1 OF 2

| | | |
|---------------------------------------|--------------------|---|
| SUDAS | IOWADOT | REVISION |
| | | New 04-21-20 |
| FIGURE 6010.515 | STANDARD ROAD PLAN | SW-515 |
| REVISIONS: New. | | SHEET 1 of 2 |
| Paul D. Wigand SUDAS DIRECTOR | | Scott Miller DESIGN METHODS ENGINEER |
| TRIPLE RECTANGULAR AREA INTAKE | | |



SECTION B-B

- ① Provide two #4 hoop bars at all pipe openings.
- ② Cast-in-place base shown. If base is precast integral with walls, the footprint of the base is not required to extend beyond the outer edge of the walls.
- ③ 12 inch minimum wall height above all pipes.
- ④ If required by casting manufacturer, provide support beam under all frame joints. Modify structure walls as required to provide pocket for beam.

| REINFORCING BAR LIST | | | | | | |
|----------------------|------|------------|-------|--------|----------------------|---------|
| Mark | Size | Location | Shape | Count | Length | Spacing |
| 4b1 | 4 | Base | — | 6 | 3'-6" | 12" |
| 4b2 | 4 | Base | — | 4 | 5'-8" | 12" |
| 4w1 | 4 | Walls | — | 20 | Wall Height minus 4" | 12" |
| 4w2 | 4 | Short Wall | — | Varies | 3'-0" | 12" |
| 4w3 | 4 | Long Wall | — | Varies | 5'-2" | 12" |

| MAXIMUM PIPE DIAMETERS | | |
|------------------------|-------------------|-------------------------|
| Pipe Location | Precast Structure | Cast-in-place Structure |
| Short Wall | 18" | 21" |
| Long Wall | 36" | 42" |

| | | | |
|---------------------------------------|-----------------|---|---------------|
| SUDAS IOWADOT | REVISION | New | 04-21-20 |
| | FIGURE 6010.515 | STANDARD ROAD PLAN | SW-515 |
| REVISIONS: New. | | | SHEET 2 of 2 |
| Paul D. Wigand SUDAS DIRECTOR | | Steve Miller DESIGN METHODS ENGINEER | |
| TRIPLE RECTANGULAR AREA INTAKE | | | |