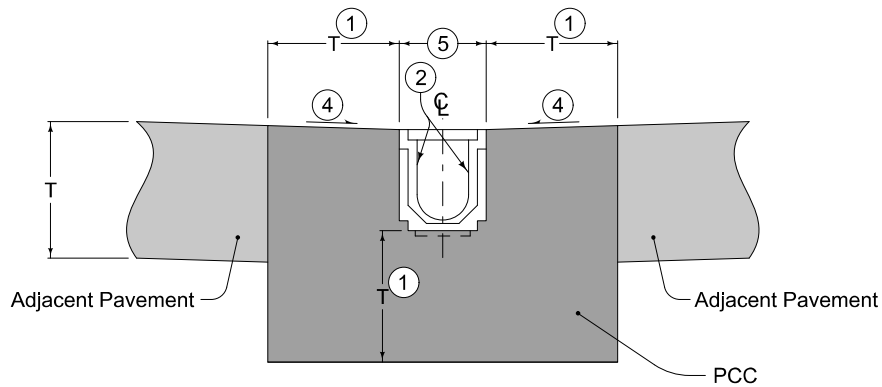


PLAN

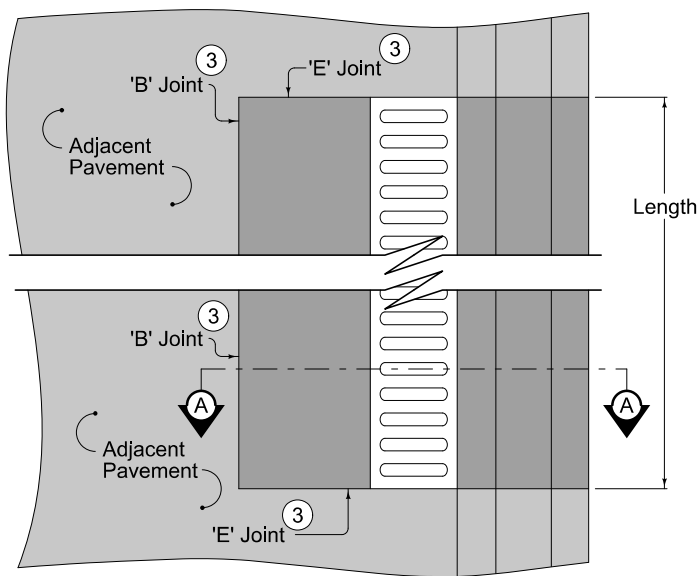


SECTION A-A

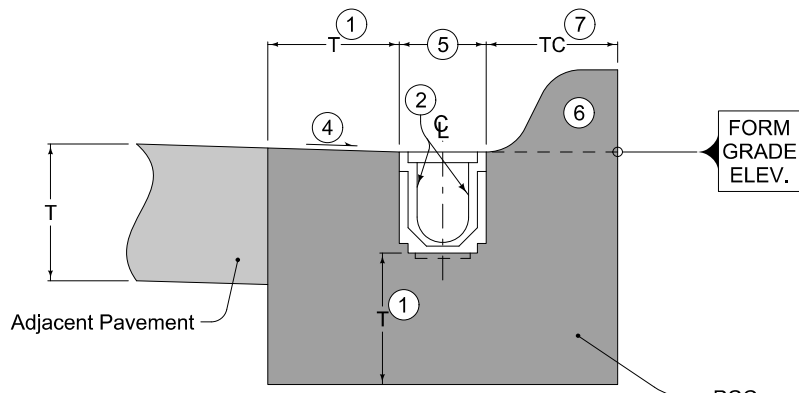
- ① 6 inches or same as thickness of adjacent pavement, whichever is greater.
- ② Linear Trench Drain.
- ③ For joint details, see PV-101.
- ④ Slope same as adjacent pavement.
- ⑤ Width as determined by manufacturer. Minimum 6 inches.

FIGURE 6010.521 SHEET 1 OF 2

SUDAS	IOWADOT	REVISION
		2 04-21-20
FIGURE 6010.521	STANDARD ROAD PLAN	SW-521
		SHEET 1 of 2
REVISIONS: Converted to joint standard. Modified circle note 1.		
Paul D. Wigand SUDAS DIRECTOR		Scott Miller DESIGN METHODS ENGINEER
LINEAR TRENCH DRAIN		



PLAN



SECTION A-A

- ① 6 inches or same as thickness of adjacent pavement, whichever is greater.
- ② Linear Trench Drain.
- ③ For joint details, see PV-101.
- ④ Slope same as adjacent pavement.
- ⑤ Width as determined by manufacturer. Minimum 6 inches.
- ⑥ Standard or sloped curb. For curb details, see PV-102.
- ⑦ Minimum thickness same as thickness of adjacent pavement or curb width, whichever is greater.

SUDAS	IOWADOT	REVISION
		2 04-21-20
FIGURE 6010.521	STANDARD ROAD PLAN	SW-521
		SHEET 2 of 2

REVISIONS: Converted to joint standard. Modified circle note 1.

Paul D. Wigand
 SUDAS DIRECTOR

Stuart Miller
 DESIGN METHODS ENGINEER

LINEAR TRENCH DRAIN