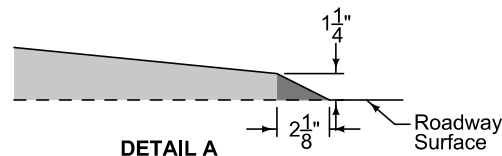
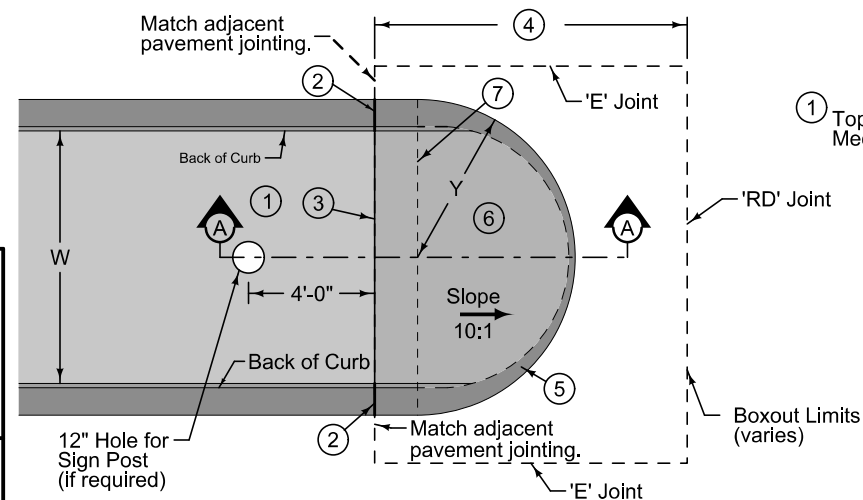


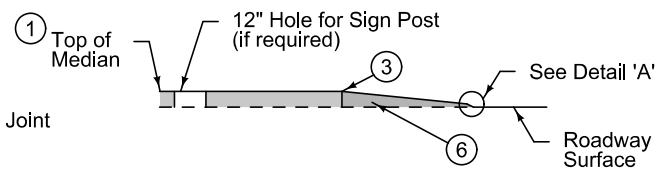
**6" STANDARD PLAN**



**DETAIL A**



**6" SLOPED PLAN**



**SECTION A-A**

**RAMPED MEDIAN NOSE**  
(Median Width 8'-0" or Less)

- ① For details of paved median, see contract documents.
- ② 'EE' Joint. Expansion joints located at the end of normal curb.
- ③ 'E' Joint. If median is paved, place expansion joints at the end of normal curb.
- ④ If boxout length is less than or equal to 12 feet, provide 'C' Joint. If boxout length is greater than 12 feet, provide 'RD' joint.
- ⑤ Special shaping of curb.
- ⑥ Quantities for ramped median nose area is included in roadway pavement quantities.
- ⑦ When X or Y is 4 feet or greater the expansion joints will be at the beginning of the rounded median.  
W = Width from back of curb to back of curb  
X =  $W/2 + 7.5"$   
Y =  $W/2 + 12"$

		REVISION
		1   04-21-20
FIGURE 7010.104	STANDARD ROAD PLAN	<b>PV-104</b>
		SHEET 1 of 1
REVISIONS: * New logo.		
<i>Paul D. Wigand</i> SUDAS DIRECTOR		<i>Stuart Nade</i> DESIGN METHODS ENGINEER
<b>RAMPED MEDIAN NOSE</b>		