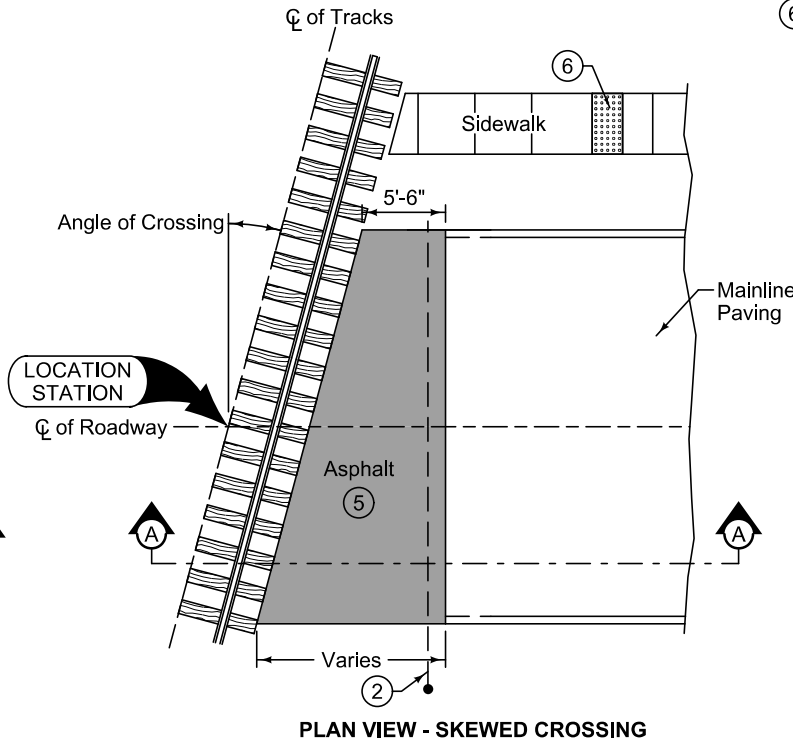
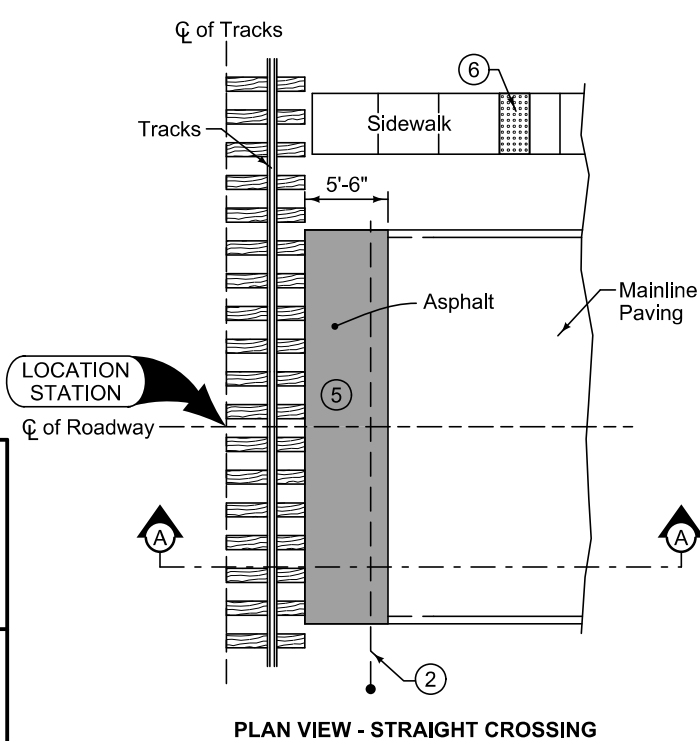


- ① Asphalt mainline paving.
- ② Install 6 inch perforated CMP subdrain, if specified. Include rodent guard per Iowa DOT Materials I.M. 443.01.
- ③ Granular subbase, modified subbase, or ballast meeting railroad specifications.
- ④ For new crossings, construct pavement 1/2 inch to 1 inch below top of rail. For existing crossings, construct pavement level to 1/2 inch below top of rail.
- ⑤ Construct asphalt approach according to the requirements for full depth asphalt patching or the requirements for asphalt paving if constructed in conjunction with mainline asphalt.
- ⑥ Refer to Figure 7030.205 for detectable warning location.



	REVISION 3   2023 Edition
	<b>7020.902</b>
SHEET 1 of 1	
<b>SUDAS Standard Specifications</b>	
<b>ASPHALT RAILROAD CROSSING APPROACH</b>	