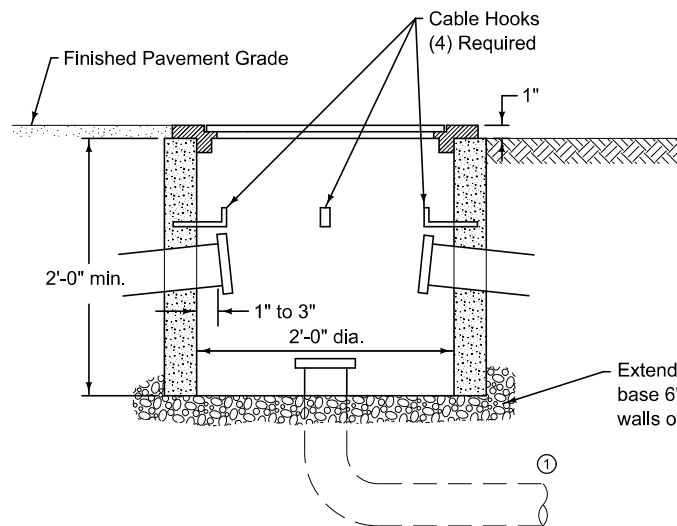
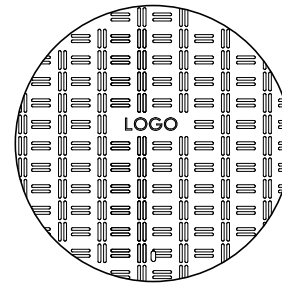
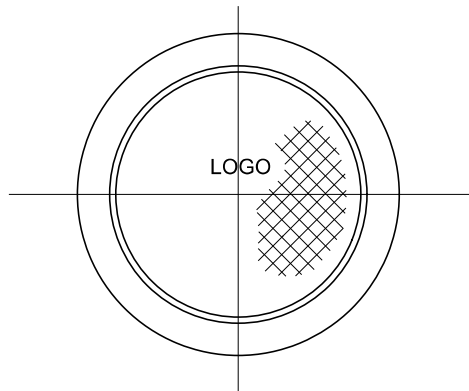
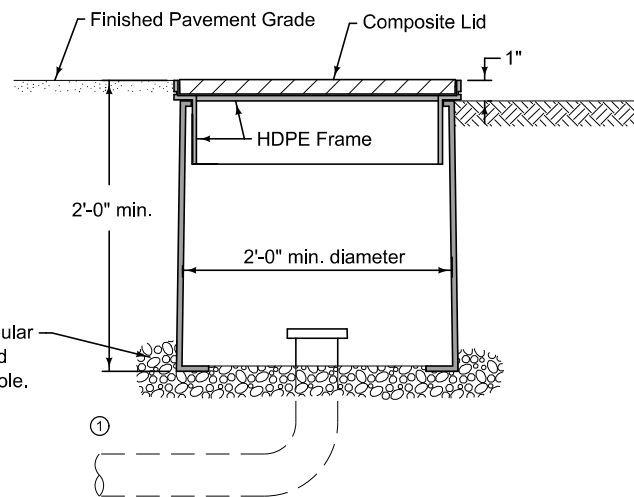


① Potential conduit entry through bottom of handhole.



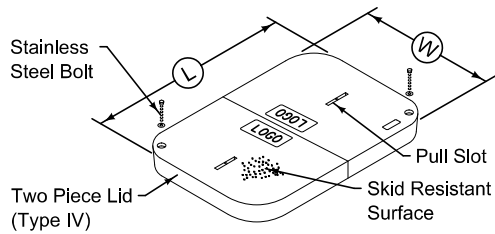
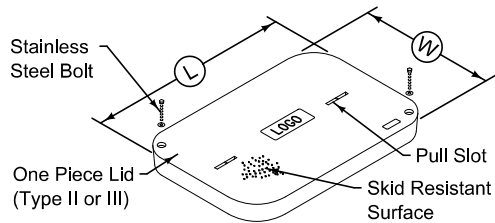
PRECAST CONCRETE HANDHOLE (TYPE I)



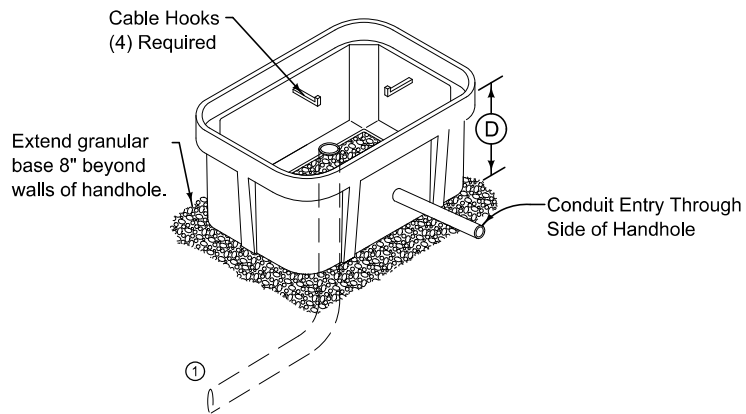
HDPE HANDHOLE (TYPE V)

FIGURE 8010.103 SHEET 1 OF 2

SUDAS	IOWADOT	REVISION
		2 04-19-22
FIGURE 8010.103	STANDARD ROAD PLAN	<b>LI-103</b>
		SHEET 1 of 2
REVISIONS: Added option for conduit to enter through the bottom of handhole.		
<i>Paul D. Wigand</i> SUDAS DIRECTOR		<i>Shawn Miller</i> DESIGN METHODS ENGINEER
<b>CONDUIT AND PRECAST HANDHOLES</b>		

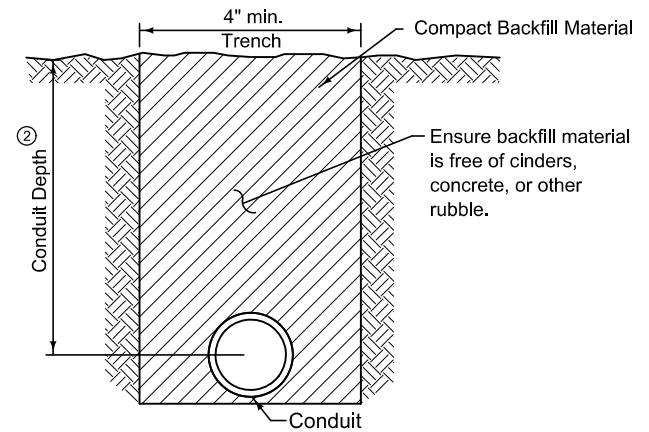


HANDHOLE DIMENSIONS TABLE (NOMINAL)			
TYPE	L	W	D
II	30"	17"	24"
III	36"	24"	30"
IV	48"	30"	36"



PRECAST CONCRETE COMPOSITE HANDHOLE

- ① Potential conduit entry through bottom of handhole.
- ② For conduit behind curb, place 24 to 48 inches below top of curb. For conduit under roadway, place 30 to 60 inches below the gutterline.



CONDUIT IN TRENCH

		REVISION
		2   04-19-22
FIGURE 8010.103	STANDARD ROAD PLAN	LI-103
		SHEET 2 of 2
REVISIONS: Added option for conduit to enter through the bottom of handhole.		
<i>Paul D. Wigand</i> SUDAS DIRECTOR		<i>Steve Nade</i> DESIGN METHODS ENGINEER
<b>CONDUIT AND PRECAST HANDHOLES</b>		