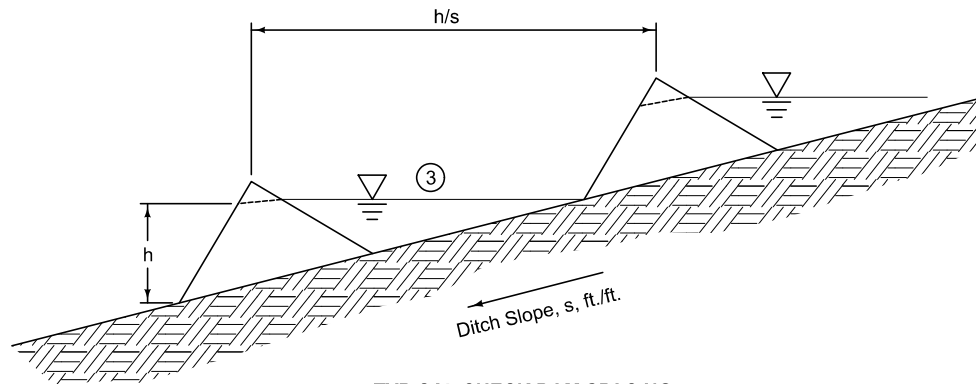



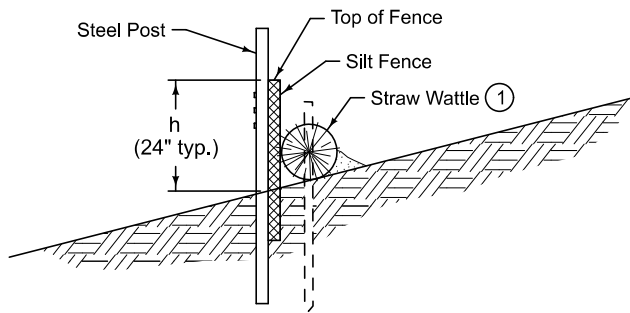
**TYPICAL CHECK DAM SECTION**  
 (Applies to silt fence, fiber log, and manufactured check dam devices)

- ① Extend check dam up sides of slope so the bottom of the check dam is at least 6 inches higher than the check dam crest.
- ② When specified, install an 8 foot wide strip of RECP under the check dam. Extend RECP up the slopes a minimum of 2 feet from the toe of the channel.
- ③ Space check dams so crest of downstream check dam is level with the base of the upstream check dam.

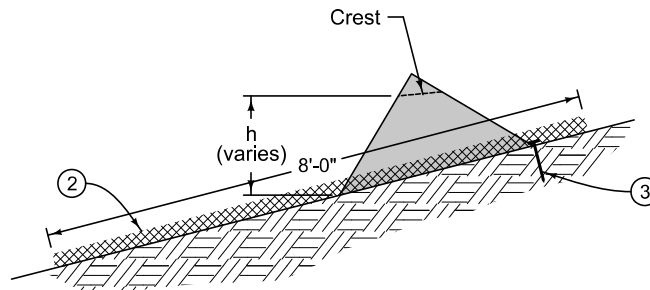


**TYPICAL CHECK DAM SPACING**

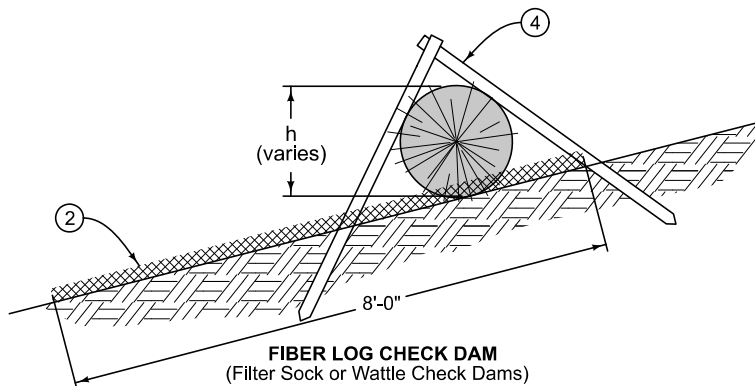
	REVISION 3   2025 Edition	
	<b>SUDAS</b> <b>9040.106</b> SHEET 1 of 2	
SUDAS Standard Specifications		
<b>CHECK DAMS</b>		



**SILT FENCE CHECK DAM**  
 (See Figure 9040.119 for installation  
 of Silt Fence Check Dams)




**MANUFACTURED CHECK DAM**  
 (Synthetic Permeable and  
 Triangular Foam Check Dams)



**FIBER LOG CHECK DAM**  
 (Filter Sock or Wattle Check Dams)

- ① When specified, place a straw wattle against the upstream face of silt fence check dams. Secure wattle in place with wood stakes.
- ② When specified, install an 8 foot wide strip of RECP under the check dam. Extend RECP up the slopes a minimum of 2 feet from the toe of the channel.
- ③ Anchor manufactured check dam according to the manufacturer's recommendations.
- ④ Install two stakes at a 45 degree angle to the surface. Space stakes at 1 foot intervals.

	<b>SUDAS</b>	<small>REVISION</small> 3   2025 Edition
	<b>9040.106</b>	<small>SHEET 2 of 2</small>
	SUDAS Standard Specifications	
<b>CHECK DAMS</b>		