
Facility Design

A. Capacity of Pipe

Pipe sizes 15 inches and smaller should carry the peak flow at a depth of no more than 0.67 of the pipe diameter. Pipe sizes greater than 15 inches should carry the peak flow at a depth of no more than 0.75 of the pipe diameter. See Figure 3C-1.01 to determine full flow values. To calculate 0.67 full and 0.75 full, multiply the full flow values from Figure 3C-1.01 by 0.79 and 0.91 respectively. Iowa DNR uses 0.75 of the pipe diameter for pipes 8 inches to 15 inches with no mention of larger pipes.

B. Flow Within the Pipe

The accepted approach to achieving adequate capacity and self-cleansing design is to assume one-dimensional, incompressible, steady, uniform flow. Since only atmospheric pressure generally exists at the surface of the flow, it can be considered open channel flow. Manning's equation is the most widely used and is one of the best open channel flow equations. Figure 3C-1.01 provides solutions to Manning's equation.

The minimum self-cleaning velocity is 2 feet per second with the pipe flowing full. Recent research indicates that in smaller diameter pipes (less than 18 inches) flowing less than 20% full, the self-cleansing velocities are not achieved. The same is true in larger diameters flowing less than 30% full. Specific care should be taken on any portions of the pipe network that will experience these low flows for significant lengths of time due to dead ends or slow development activity.

The maximum velocity flowing full is 15 feet per second. Special design mechanisms may be necessary to address displacement of solids and impact of flow downstream.

C. Pipe Material

Contact the Jurisdictional Engineer for materials allowed by each jurisdiction.

D. Manning's Roughness Coefficient

The roughness coefficient to be used is $n = 0.013$. This coefficient is for all types of approved pipe materials.

E. Minimum Grade

See Table 3C-1.01 below for the minimum slopes for each pipe diameter. Minimum grade on sanitary sewer service stubs should be 1/8 inch per foot.

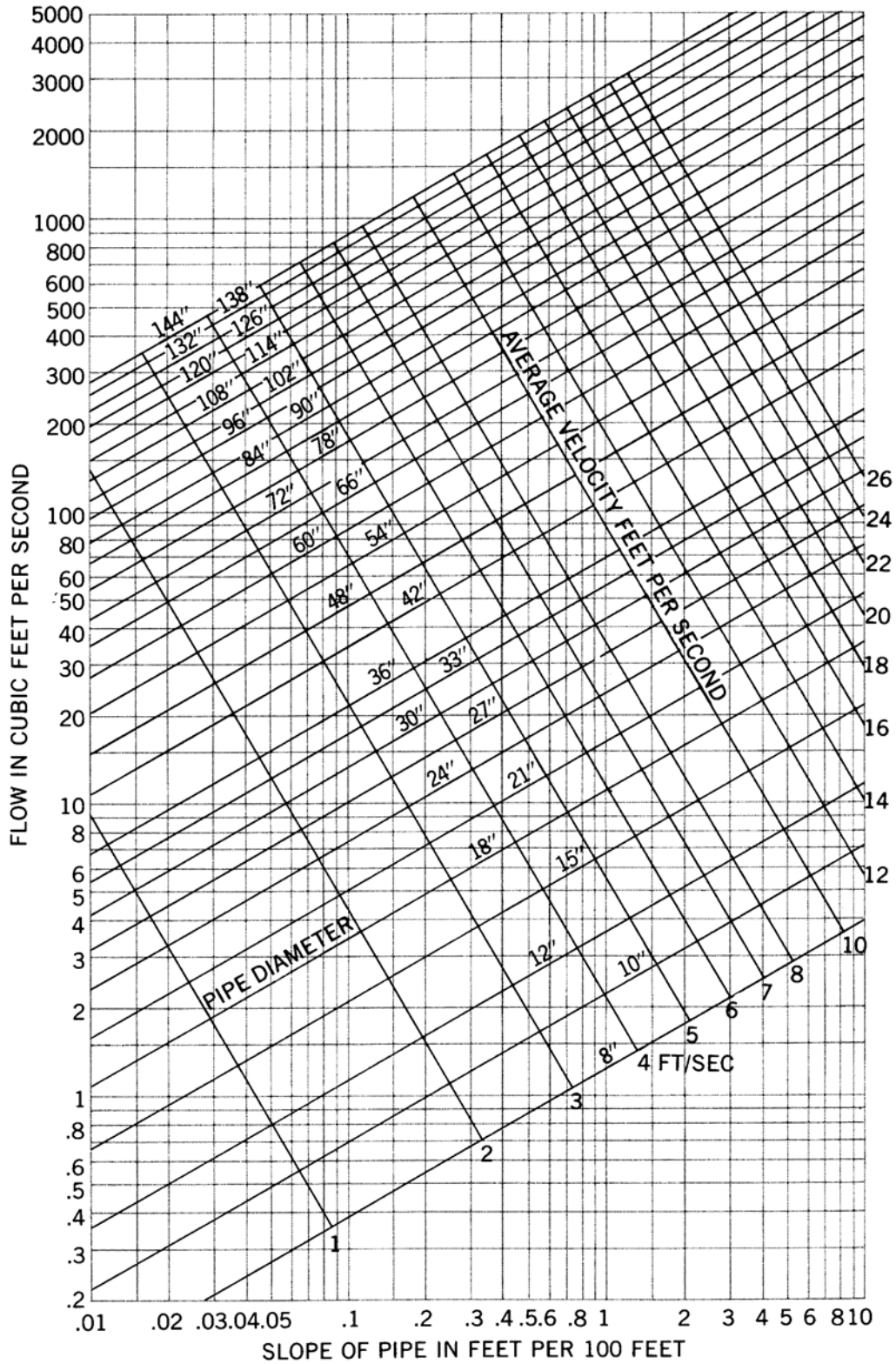
Table 3C-1.01: Minimum Slope

Pipe Size (inches)	Minimum Slope (ft/100 ft)
8	0.40
10	0.28
12	0.22
15	0.15
18	0.12
21	0.10
24	0.08
27	0.067
30	0.058
36	0.046

F. Size of Sewer Pipe

Gravity public sanitary sewers should not be less than 8 inches in diameter. Minimum size of building sanitary sewer stub should be 4 inches in diameter for residential and 6 inches in diameter for commercial. The size will increase based on the proposed number of fixtures that the sewer stub serves.

Figure 3C-1.01: Flow for Circular Pipe Flowing Full (Based on Manning's Equation $n=0.013$)



G. Crossings and Clearances

1. **Storm Sewers:** Sanitary sewer crossings of storm sewers should have no less than 6 inches of clearance. Special structural support will be required if there is less than 18 inches clearance. The minimum horizontal clearance should be 5 feet. Clearance refers to the distance from the outside of the sanitary sewer pipe to the outside of the storm sewer pipe.
2. **Protection of Water Supplies:** (from Iowa DNR's [Iowa Wastewater Facilities Design Standards](#), Chapter 12, Section 12.5.8)
 - a. **Wells:** Do not lay sewers constructed of standard sewer materials within 75 feet of a public well or 50 feet of a private well. Sewers constructed of water main materials may be laid within 75 feet of a public well and within 50 feet of a private well but no closer than 25 feet to either.
 - b. **Horizontal Separation of Gravity Sanitary and Combined Sewers from Water Mains:** Separate sanitary and combined sewers and water mains by at least 10 feet measured edge to edge unless it is impossible to do so. When not possible to maintain a 10 feet horizontal separation, maintain a minimum separation of 3 feet and utilize one of the following within 10 feet measured edge to edge:
 - 1) the top of a sewer main is at least 18 inches below the bottom of the water main, and
 - 2) the sewer is placed in a separate trench or in the same trench on a bench of undisturbed earth at a minimum horizontal separation of 3 feet from the water main.

When it is impossible to obtain the required horizontal clearance of 3 feet and a vertical clearance of 18 inches between sewers and water mains, construct the sewers of water main materials meeting both a minimum pressure rating of 150 psi and the requirements of [SUDAS Specifications Section 5010, 2.01](#) or enclose the water main in a watertight casing pipe with an evenly spaced annular gap and watertight end seals. However, provide a linear separation of at least 2 feet.

- c. **Horizontal Separation of Water Mains from Sanitary and Combined Sewer Manholes:** Ensure water pipes do not pass through or come in contact with any part of a sanitary or combined sewer manhole. Maintain a minimum horizontal separation of 3 feet.
- d. **Separation of Sanitary Sewer Force Mains from Water Mains:** Separate sanitary sewer force mains and water mains by a horizontal distance of at least 10 feet unless:
 - 1) the force main is constructed of water main materials meeting a minimum pressure rating of 150 psi and the requirements of [SUDAS Specifications Section 5010, 2.01](#) and
 - 2) the sewer force main is laid at least 4 linear feet from the water main.
- e. **Separation of Sanitary Sewers and Water Main Crossovers:** Vertically separate sanitary sewers crossing under any water main by at least 18 inches when measured from the top of the sewer to the bottom of the water main. If physical conditions prohibit the separation, do not place the sewer closer than 6 inches below a water main or 18 inches above a water main. Maintain the maximum feasible separation distance in all cases.

When the sanitary sewer crosses over or is less than 18 inches below a water main utilize one of the following within 10 feet measured edge-to-edge horizontally, centered on the crossing: locate one full length of sewer pipe of water main material so both joints are as far as possible from the water main. Ensure the sewer and water pipes are adequately supported and have watertight joints. Use a low permeability soil for backfill material within 10 feet of the point of crossing.

- 1) Construct sanitary sewer pipe of water main material.
 - 2) Enclose the water main in a watertight casing pipe with an evenly spaced annular gap and watertight end seals.
- f. Exceptions:** Should physical conditions exist such that exceptions to b through e above are necessary, the design engineer must detail how the sewer and water main are to be engineered to provide protection equal to that required by these sections.
- 3. Sewer Crossing Under a Waterway:** (from Iowa DNR's Iowa Wastewater Facilities Design Standards, Chapter 12, Section 12.5.11)

The top of all sewers entering or crossing streams shall be at a depth below the natural bottom of the stream bed sufficient to protect the line. One foot of cover over the top of the line is required where the sewer is located in rock or cased and three feet of cover is required in other material. In major streams, more than the three feet of cover may be required.

In paved channels, the top of the sewer line should be placed below the bottom of the channel pavement. Sewer outfalls, headwalls, manholes, gate boxes, or other structures shall be so located that they do not interfere with the free discharge of flood flows of the stream. Sewers located along streams shall be located outside of the stream bed.

Sewers entering or crossing streams shall be constructed of cast or ductile pipe with mechanical joints or shall be so otherwise constructed that they will remain water tight and free from changes in alignment or grade. Sewer systems shall be designed to minimize the number of stream crossings. The stream crossings shall be designed to cross the stream as nearly perpendicular to the stream flow as possible. Construction methods that will minimize siltation shall be employed. Material used to backfill the trench shall be stone, coarse aggregate, washed gravel, or other materials which will not cause siltation. Upon completion of construction, the stream shall be returned as near as possible to its original condition. The stream banks shall be seeded and planted, or other methods employed to prevent erosion. The design engineer shall include in the project specifications the method or methods to be employed in the construction of sewers in or near streams to provide adequate control of siltation.

- 4. Aerial Crossings:** (from Iowa DNR's Iowa Wastewater Facilities Design Standards, Chapter 12, Section 12.5.12)

Support shall be provided at all joints in pipes utilized for aerial crossings. The supports shall be designed to prevent overturning and settlement.

Precautions against freezing, such as insulation and increased slope, shall be provided. Expansion jointing shall be provided between above-ground and below-ground sewers.

For aerial stream crossings the impact of flood waters and debris shall be considered. The bottom of the pipe should be placed no lower than the elevation of the 50-year flood.

- 5. Drainage Courses:** Consideration should be given to providing additional depth below the streambed or erosion protection in the case of potentially erodable drainage courses.

H. Depth of Sewer

Gravity sewers should be deep enough to serve basements, assuming a 2% grade plus adequate allowance for pipe fittings on house sewers (absolute minimum of 1%). They should have a minimum depth to the top of pipe of 8 feet unless the sewer can serve existing basements at a lesser

depth. For those structures with no basements or when a high ground water table is encountered, depths less than 8 feet may be allowed. In either case, the sewer should be well below the frost line at all points and lower than any water lines placed in the same street. Insulation should be provided for sewers that cannot be placed at a depth sufficient to prevent freezing. For sewers greater than 12 feet deep as measured at the building line, provide risers on service stubs. Maximum depth of sewer should not exceed depth recommended by the pipe manufacturer.

I. Location of Sanitary Sewers

1. Sanitary Sewers in Street Right-of-way:

- a. Sanitary sewers parallel to the right of way may be placed in the center of the street or behind the back of curb. Contact Jurisdiction for allowable location.
- b. Sanitary sewers perpendicular to the street should follow Iowa DNR clearance requirements between storm sewer, water mains, and other utilities.

2. Sanitary Sewers Outside of Street Right-of-way:

- a. Sanitary sewers will be placed in a sanitary sewer public easement. Public sanitary sewer easements should have a minimum total width of 20 feet or two times the depth of the sewer, whichever is greater, with the sanitary sewer centered in the easement. Additional width may be required by the Jurisdictional Engineer to insure proper access for maintenance equipment.
- b. Provisions must be made to provide public access to the sanitary sewer easements from public streets.

J. Alignment of Sewers

Sewers less than 24 inches in diameter should be straight between manholes. Curvilinear alignment may be allowed in sewers 24 inches and greater but must start and end at manholes. Minimum grades must be increased to provide average full flow velocities equivalent to sewers with straight alignment. Submittal of the curvilinear alignment design to the Iowa DNR is required.

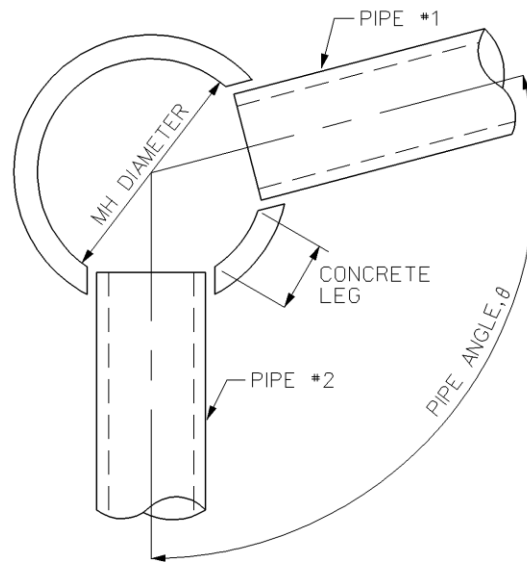
K. Sewer Linings for Ductile Iron Pipe

If ductile iron pipe is used for sanitary sewer pipe material, the pipe must be lined for sulfate protection. Allowable linings include calcium aluminate cement, polyethylene, ceramic epoxy, or coal tar epoxy.

L. Manholes

1. **Access to Manholes:** Manholes in street right of way must be located in areas which allow direct access by maintenance vehicles. Areas outside the street right of way should be subject to the approval of the Jurisdictional Engineer.
2. **Standard Manhole:** The minimum size for a manhole is 48 inches in diameter. Most Jurisdictions require eccentric manholes with the manhole opening over the centerline of the pipe or on an offset not to exceed 12 inches. The remaining Jurisdictions allow for concentric manholes. Check with Jurisdictional Engineer regarding use of eccentric and concentric manholes and built-in steps.

3. **Special Manholes:** For square or rectangular manholes, the manhole openings should be over the centerline of the pipes or on an offset not to exceed 12 inches. The distance from the centerline of the manhole opening to the face of the inside manhole wall should not exceed 30 inches to better facilitate video inspection and maintenance equipment. This may require more than one manhole opening.
4. **Manhole Locations:**
 - a. Manholes should be installed:
 - 1) at the end of each sewer line
 - 2) at all changes in pipe size, grade or alignment, and at bends
 - 3) at all sewer pipe intersections
 - 4) at intervals not exceeding 400 feet for sewers 24 inches or less or at intervals not exceeding 500 feet when adequate cleaning equipment is available. Spacing of manholes over 500 feet may be permitted in sewers larger than 24 inches if the owner has adequate cleaning equipment.
 - b. Cleanouts may be substituted, with Jurisdictional approval, for mains shorter than 150 feet.
5. **Manhole Drop:**
 - a. Change in alignment - 0 to 45 degrees - none.
 - b. Change in alignment across manhole - greater than 45 degrees - 0.10 feet (minimum), 0.30 feet (preferred).
6. **Dissimilar Pipe Sizes:** Change in pipe size - match eight-tenths full points.
7. **Maximum Manhole Drop:** A drop connection is required when the invert to invert drop is greater than 2 feet, except when the eight-tenths points match exceeds 2 feet.
8. **Manhole Frames and Covers:** Bolt-down covers are required on manholes subject to inundation such as in flood plains, detention areas, and storm water easement areas subject to "major storms." Minimum access diameter of 27 inches is required.
9. **Manhole Coatings:** Exterior waterproof coating (bituminous) is not required unless specified by the Jurisdiction. Interior coatings should be required if sulfate protection is necessary. Drop sections should be coated along with the manhole to protect against sulfate.
10. **Manhole Sizes:** When utilizing circular precast manholes, it is necessary to determine the diameter required to maintain the structural integrity of the manhole. As a general rule, a minimum concrete leg of 6 inches should remain between the manhole blockouts for adjacent pipes. Determining the required manhole diameter to provide this minimum distance may be done as follows:
 - a. Determine the diameters of, and the angle between, the two pipes in question. If more than two pipes connect at the manhole, the adjacent pipes with the critical configuration (i.e. smallest angle and largest pipes) should be selected. If the critical configuration is not apparent, calculations may be required for all adjacent pipes.



- b. Determine the blockout diameter. The blockout is the opening provided in the manhole for the pipe. Blockout dimensions are based on the outside diameter of the pipe, plus an additional distance to accommodate the integrally cast gasket for sanitary sewer pipe. For storm sewer, a circular or doghouse type opening is provided with additional clearance to allow for the insertion of the pipe and sufficient space to accommodate placement of concrete grout in the opening. Typical blockout dimensions for various pipe sizes and materials are given in Table 3C-1.02.

Table 3C-1.02: Manhole Blockout Sizes

Pipe Diameter (inches)	Manhole Blockout (inches)			
	RCP		PVC	DIP
	Sanitary (gasketed)	Storm (non-gasketed)		
8	N/A	N/A	12	12
10	N/A	N/A	14	14
12	24	21	16	16
14	N/A	N/A	16	18
15	26	24	19	N/A
16	N/A	N/A	N/A	20
18	30	28	22	23
20	N/A	N/A	N/A	24
21	35	31	25	N/A
24	38	35	28	29
27	42	38	31	N/A
30	44	42	35	36
33	47	47	N/A	N/A
36	52	48	42	41
42	59	57	N/A	N/A
48	66	64	N/A	N/A
54	72	71	N/A	N/A
60	79	78	N/A	N/A

- c. Determine the diameter of the manhole required to provide the minimum concrete leg dimension. This diameter may be calculated with the following equation:

$$MH_d = \frac{BO_1 + BO_2 + 2CL}{\theta \times \left(\frac{\pi}{180}\right)} \quad \text{Equation 3C-1.01}$$

Where:

MH_d = Manhole Diameter, inches

BO = Blockout Diameter, inches

CL = Minimum Concrete Leg Length, inches (6 inches)

θ = Angle between pipe centerlines, degrees

- d. Round the minimum manhole diameter calculated, up to the next standard manhole size (48 inches, 60 inches, 72 inches, 84 inches, 96 inches, 108 inches, or 120 inches).
- e. Verify that the manhole diameter calculated is sufficient for the largest pipe diameter (see Table 3C-1.03).

Table 3C-1.03: Minimum Manhole Diameter Required for Pipe Size

Pipe Diameter (inches)	Minimum Manhole Diameter Required for Pipe (inches)		
	<i>RCP</i>	<i>PVC</i>	<i>DIP</i>
8	N/A	48	48
10	N/A	48	48
12	48	48	48
14	N/A	N/A	48
15	48	48	N/A
16	N/A	N/A	48
18	48	48	48
20	N/A	N/A	48
21	48	48	N/A
24	48	48	48
27	60	48	N/A
30	60	60	60
33	60	N/A	N/A
36	60	60	60
42	72		
48	84		
54	96		
60	96		

M. Sewer Services

1. Each structure or complex under one ownership should be served by a separate service line connected to a public or private sanitary sewer. The service should be perpendicular to the sewer line where possible, with tee or wye connections to the public sewer.
2. Sewer services must meet all the Jurisdiction's requirements.
3. Unless individual onsite treatment systems are allowed, all platted lots of a proposed subdivision are to have separate sewer services for each owner and be adjacent to a public sanitary sewer main without crossing any adjacent properties. Additional sewer services will be required for each additional principal structure on a given lot.
4. Sewer services across one property to provide service to an adjacent property should be avoided. If a condition exists that requires crossing an adjacent property, the following should be met:
 - a. A private utility easement is provided that is 10 feet wide (minimum) or two times the depth, whichever is greater.
 - b. The Jurisdictional Engineer determines that a sewer main extension will not be necessary and in all likelihood no future development of abutting properties will benefit from a main extension.
5. Connect sewer services to sewer mains. Connections directly to manholes will require Jurisdiction's approval. Individual single family residential services will not be connected to a manhole unless at terminal manholes which cannot possibly be extended in the future. The services may not enter the manhole at greater than 2 feet above the invert of the outlet. Sewer flow channels in the manhole bottom must be provided for all services. Commercial and multi-family sewer services can be connected, with Jurisdictional approval, to a manhole on the collector sewer if flows are large enough to keep the manhole clean.

N. Force Mains

1. **Minimum Velocity:** 2 fps at minimum pumping condition.
2. **Air Release Valves:** Should be located at high points to control the excess accumulation of sewage gases.

O. Siphons

In general, sanitary sewer siphons should be avoided and will only be accepted where no feasible alternative exists and where there will be sufficient flow in the sewer so that maintenance will be held to a minimum. All siphons should have a minimum of two barrels with a minimum pipe size of 6 inches diameter. Design provisions should be made for diversion of normal flow to either barrel for maintenance. Sufficient head should be provided to insure velocities of at least 3 feet/second for average flow.