



---

# Table of Contents

---

## Chapter 3 - Sanitary Sewers

### 3A General Information

3A-1-----General Information	
A. Concept.....	1
B. Conditions.....	2

### 3B Flow Determination

3B-1-----Flow Determination	
A. Sanitary Sewers Design Period.....	1
B. Footing Drain Inflow.....	1
C. Area.....	1
D. Density Table.....	2
E. Special Design Densities.....	2

### 3C Facility Design

3C-1-----Facility Design	
A. Capacity of Pipe.....	1
B. Flow Within the Pipe.....	1
C. Pipe Material.....	1
D. Manning’s Roughness Coefficient.....	1
E. Minimum Grade.....	2
F. Size of Sewer Pipe.....	2
G. Crossings and Clearances.....	4
H. Depth of Sewer.....	5
I. Location of Sanitary Sewers.....	6
J. Alignment of Sewers.....	6
K. Sewer Linings for Ductile Iron Pipe.....	6
L. Manholes.....	6
M. Sewer Services.....	10
N. Force Mains.....	10
O. Siphons.....	10

### 3D Pipe and Manhole Materials

3D-1-----Pipe and Manhole Materials	
-------------------------------------	--

### 3E References

3E-1-----References	
---------------------	--





---

# General Information

---

## A. Concept

Sanitary sewer systems are essential to the public health and welfare in areas of concentrated population and development. Every community produces water-borne wastes of domestic, commercial, and industrial origin. The sanitary sewer performs the needed function of collecting these wastes and conveying them to points of approved discharge or disposal. The use of uniform and adequate sanitary sewer design criteria is essential for public safety and proper wastewater treatment, maintenance and control.

It is important to collect the needed information for the proper design of the sanitary sewer system. Generally, this information includes:

1. Topography, surface and subsurface conditions, above and below ground utilities, soil characteristics, water table elevations, and traffic control needs.
2. Locations of streets, alleys, and easements.
3. Capacity, condition, and elevations of the existing sanitary sewer to which the proposed pipe will connect. Determination of backups or unusual maintenance problems on the connecting sewer.
4. Information relative to any proposed expansion of the proposed project by annexation or service agreement.
5. Locations of historical and archaeological sites and any environmental sensitive areas within the project area.
6. Access needs for construction and operation of the sanitary sewer.
7. Quantity of flow in the pipe to be extended.

The Iowa DNR requires underground storage tank (UST) owners to meet specific design requirements for USTs installed within 1,000 feet of a community water system due to the potential for volatile organic compounds to be released from the UST and impact water main pipe. The same potential exists for sanitary sewer pipe, especially force mains that are installed at a shallower depth. The Project Engineer should determine if there is an UST in the area of the force main project. If so, the Designer should determine the need to design the force main to prevent future permeation of any volatile organic compounds into the sanitary sewer system. There are various elements to consider, some of which include soil types, groundwater table depth, size of the UST, age of the UST, etc.

## B. Conditions

1. **Design:** The design for sanitary facilities should be in conformance with the following:
  - a. "Iowa Standards for Sewer System, Chapter 12," Iowa Department of Natural Resources.
  - b. "Recommended Standards for Sewage Works Great Lakes-Upper Mississippi River Board of State Sanitary Engineers." (Ten State Standards).
  - c. Jurisdiction's Plumbing Code.
  - d. In case of a conflict between the above design standards, the most restrictive requirement applies.
2. **Construction Standards:** Construction standards should be the most recent edition of the SUDAS Standard Specifications. All details, materials, and sewer appurtenances should conform to these standards.
3. **Project Submittals:** An application for a permit to construct should follow the Department of Natural Resources Rules and Regulations. A construction permit issued by the Iowa Department of Natural Resources (Iowa DNR) is required for the construction, installation or modification of any disposal system or part thereof or any extension or addition thereto. A permit to construct sewer extensions may be obtained from a local public works department when the department's permitting authority has been delegated to the local public works department under section 455B.183 of the Code of Iowa.

DNR construction permits are normally not required for the following sewers:

- a. Storm sewers that transport only surface water runoff.
- b. Any new disposal system or extension or addition to any existing disposal system that receives only domestic or sanitary sewage from a building or housing occupied by fifteen persons or less.
- c. Replacement of previously approved construction where the replacement is done with the exact same methods, materials, capacities, and design considerations. However, if there is any change, the proposed construction will require a construction permit.
- d. Sanitary sewer service connections, defined as any connection from a single property unit to an existing sanitary sewer.

Engineering services to obtain a construction permit and complete the approved construction should be performed in three stages:

- a. Engineering report or facilities plan (not required for minor sewer extensions).
- b. Preparation and submittal of construction plans, specifications, and contractual documents.
- c. Preparation and submittal of permit forms, including a sewage treatment agreement from the agency providing treatment.
- d. Construction inspection, administration, compliance, and acceptance.

All reports, plans, and specifications should be prepared in conformance with Chapter 542B of the Code of Iowa.

Engineering reports, permit forms, or facilities plans should be submitted to the Iowa DNR at least 120 days prior to the date for starting construction, upon which action by the Department is desired, or according to the Iowa Operation Permit or other schedules. If the project meets the requirements of Iowa Code Section 455 B. 183 for a minor sewer extension, and the county or city public works department has been approved to issue permits, the information should be submitted to the local officials for processing.

The final plans and specifications should not be prepared until the engineering report has been approved. This enables the Department to review the concept and design basis, make appropriate comments, and indicate to the applicant the general acceptability of the proposal before additional expenses are incurred for developing final plans and specifications. After the engineering report has been approved, the final plans and specifications should be submitted in accordance with 400-24.2(455B) of the Iowa Administrative Code or in accordance with the Iowa Operation Permit or other schedules. These plans and specifications should be prepared in accordance with the approved engineering report or facilities plan. Any changes from the approved report must receive prior approval from the Iowa DNR before incorporation into the plans and specifications.



---

# Flow Determination

---

## A. Sanitary Sewers Design Period

The length of time used in forecasting flows and setting capacities of the sanitary sewer is called the design period. The design period is related to the planning horizon for development of the project area and the expected life of the sanitary sewer pipe. In some cases, no specific planning horizon is identified. Instead the build-out population or land use is used. This is the maximum population and/or commercial and industrial development that could occur within the project area and beyond, if appropriate. The flows are determined based on that population or land use development without regard to time frames.

For residential development, the flows can be predicted using the following densities:

### 1. Discharge (Q) Average Daily Flow (minimum):

$$\text{Area} \times \text{Area Density} \times \text{Flow Rate} = \text{Average Daily Flow} \qquad \text{Equation 3B-1.01}$$

$$\text{Number of Units} \times \text{Unit Density} \times \text{Flow Rate} = \text{Average Daily Flow} \qquad \text{Equation 3B-1.02}$$

2. **Discharge (Q) Peak Sewer Flow (minimum):** Average daily flow times ratio of peak to average daily flow (See Figure 3B-1.01 for ratio). NOTE: Population values shown in Figure 3B-1.01 are based on the area that discharges into the sewer.

3. **Design Density and Rate:** See Table 3B-1.01.

## B. Footing Drain Inflow

If a proposed sewer is to serve an older developed area with existing footing drain inflow, special design information should be obtained from the Jurisdiction. Additional extraneous flow allowances may be warranted where high groundwater levels, significant inflow sources, or higher than average per capita wastewater flow rates are expected to occur over the design life of the sewer.

## C. Area

Gross area should be used in determining design flows and include streets, alleys, school grounds, parks, and similar dedicated open space.

## D. Density Table

**Table 3B-1.01: Minimum Values**

Land Use	Area Density	Unit Density	Rate
Low Density (Single Family) Residential	10 people / AC	3 people / unit	100 gpcd*
Medium Density (Multi-Family) Residential	15 people / AC 6.0 people / duplex	3 people / unit	100 gpcd*
High Density (Multi-Family) Residential	30 people / AC	2.5 people / unit	100 gpcd*
Office and Institutional	5,000 gpd / AC (IDNR)	Special Design Density	N/A
Commercial and Light Industrial	5,000 gpd/AC (IDNR)	Special Design Density	N/A
Industrial	10,000 gpd/AC (IDNR)	Special Design Density	N/A

\* Iowa Department of Natural Resources (DNR) - Dry Weather Flow - One hundred gallons per capita per day (gpcd) should be used in design calculations as the minimum average dry weather flow. This 100 gpcd value may, with adequate justification, include maximum allowable infiltration for proposed sewer lines.

The area densities listed include the peaking factor.

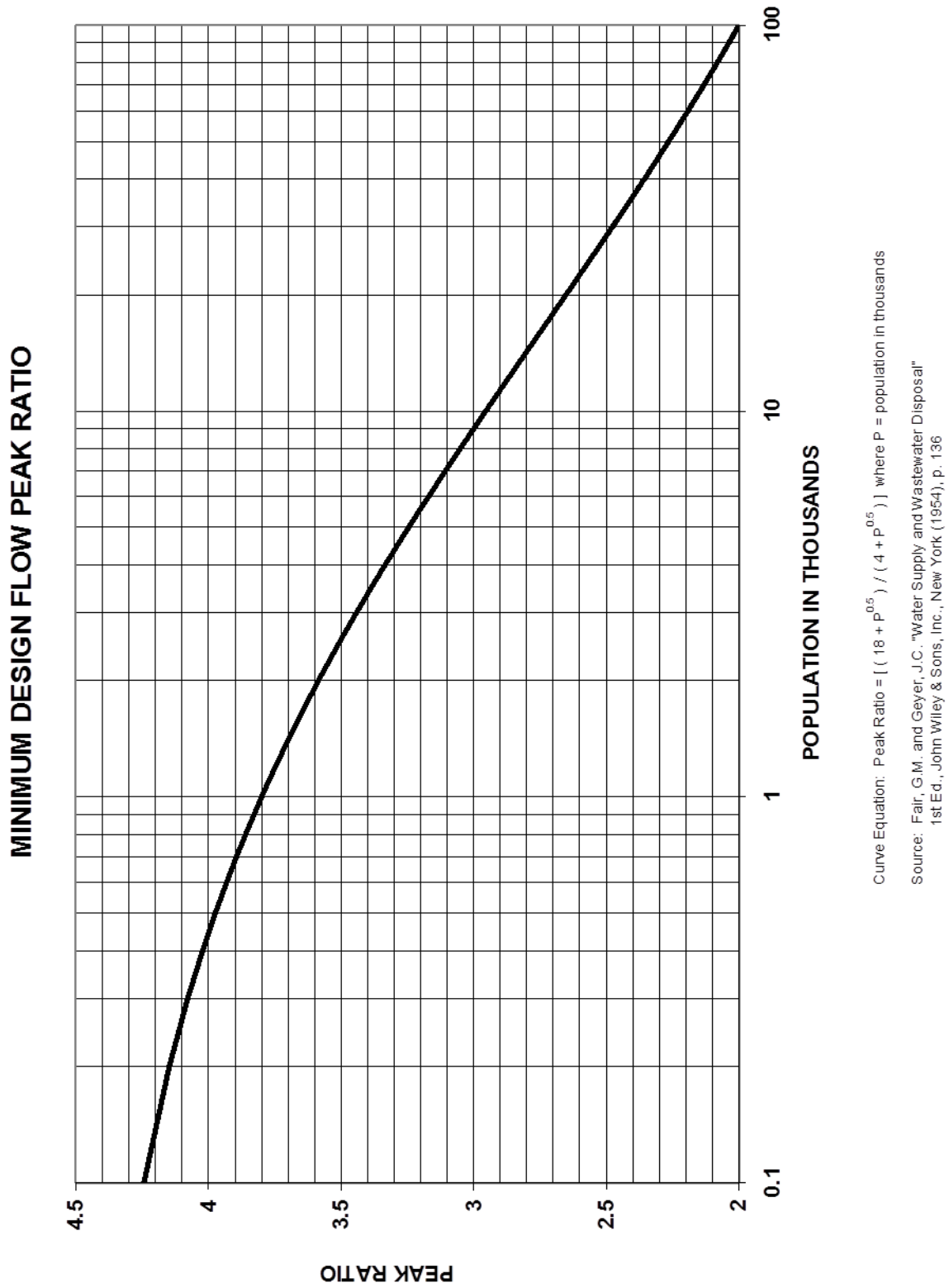
Note: If the Project Engineer uses values different from the above table, approval by the Jurisdictional Engineer is required.

## E. Special Design Densities

Special design densities should be based on specific flow measurements or known flow rates and are subject to approval by the Jurisdiction Engineer based on methodology provided by the Project Engineer prior to submittal to the Iowa DNR.



Figure 3B-1.01: Ratio of Peak to Average Daily Sewage Flow





---

## Facility Design

---

### A. Capacity of Pipe

Pipe sizes 15 inches and smaller should carry the peak flow at a depth of no more than 0.67 of the pipe diameter. Pipe sizes greater than 15 inches should carry the peak flow at a depth of no more than 0.75 of the pipe diameter. See Figure 3C-1.01 to determine full flow values. To calculate 0.67 full and 0.75 full, multiply the full flow values from Figure 3C-1.01 by 0.79 and 0.91 respectively. Iowa DNR uses 0.75 of the pipe diameter for pipes 8 inches to 15 inches with no mention of larger pipes.

### B. Flow Within the Pipe

The accepted approach to achieving adequate capacity and self-cleansing design is to assume one-dimensional, incompressible, steady, uniform flow. Since only atmospheric pressure generally exists at the surface of the flow, it can be considered open channel flow. Manning's equation is the most widely used and is one of the best open channel flow equations. Figure 3C-1.01 provides solutions to Manning's equation.

The minimum self-cleaning velocity is 2 feet per second with the pipe flowing full. Recent research indicates that in smaller diameter pipes (less than 18 inches) flowing less than 20% full, the self-cleansing velocities are not achieved. The same is true in larger diameters flowing less than 30% full. Specific care should be taken on any portions of the pipe network that will experience these low flows for significant lengths of time due to dead ends or slow development activity.

The maximum velocity flowing full is 15 feet per second. Special design mechanisms may be necessary to address displacement of solids and impact of flow downstream.

### C. Pipe Material

Contact the Jurisdictional Engineer for materials allowed by each jurisdiction.

### D. Manning's Roughness Coefficient

The roughness coefficient to be used is  $n = 0.013$ . This coefficient is for all types of approved pipe materials.

## E. Minimum Grade

See Table 3C-1.01 below for the minimum slopes for each pipe diameter. Minimum grade on sanitary sewer service stubs should be 1/8 inch per foot.

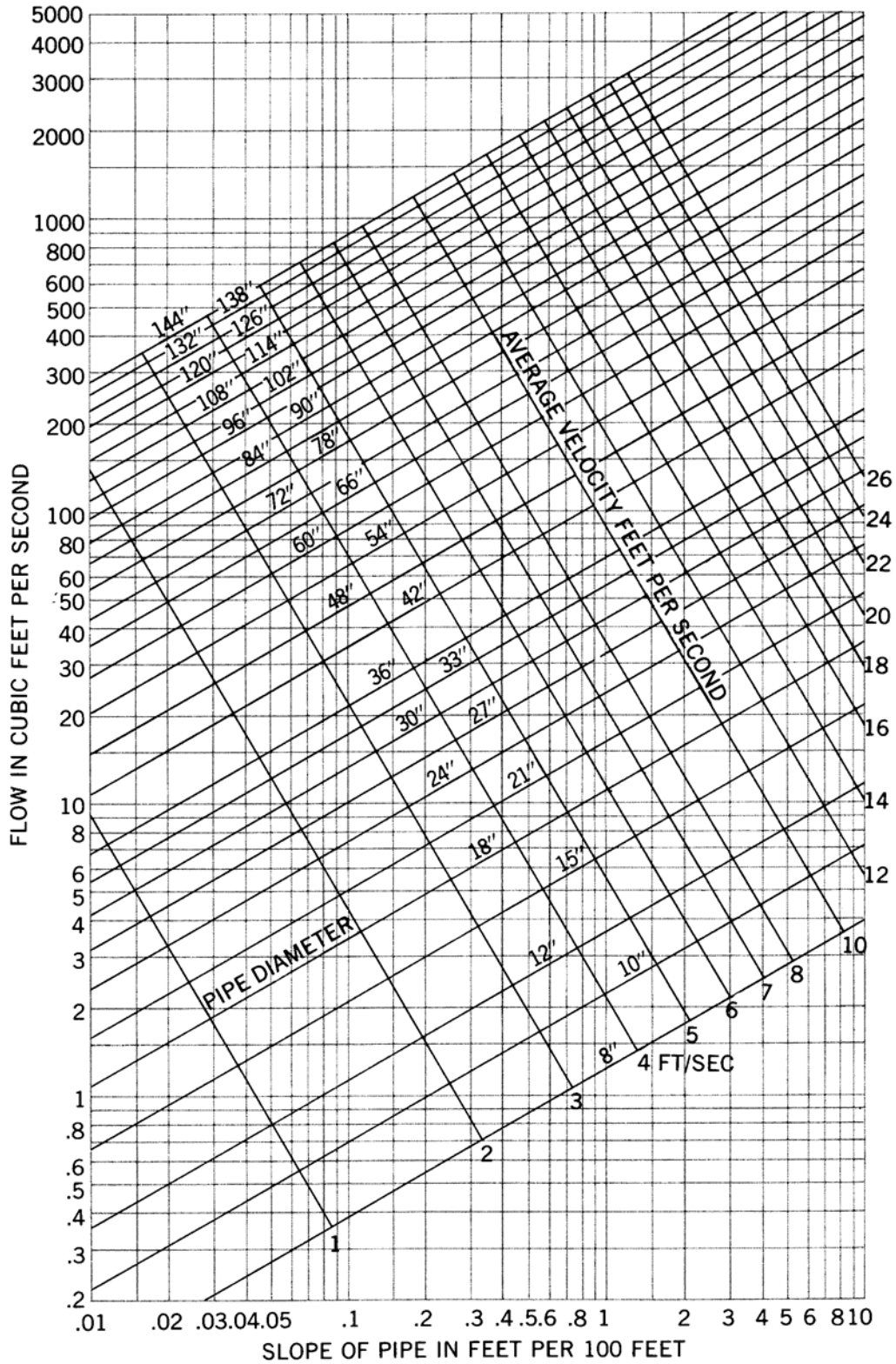
**Table 3C-1.01: Minimum Slope**

<b>Pipe Size (inches)</b>	<b>Minimum Slope (ft/100 ft)</b>
8	0.40
10	0.28
12	0.22
15	0.15
18	0.12
21	0.10
24	0.08
27	0.067
30	0.058
36	0.046

## F. Size of Sewer Pipe

Gravity public sanitary sewers should not be less than 8 inches in diameter. Minimum size of building sanitary sewer stub should be 4 inches in diameter for residential and 6 inches in diameter for commercial. The size will increase based on the proposed number of fixtures that the sewer stub serves.

Figure 3C-1.01: Flow for Circular Pipe Flowing Full (Based on Manning's Equation  $n=0.013$ )



## G. Crossings and Clearances

1. **Storm Sewers:** Sanitary sewer crossings of storm sewers should have no less than 6 inches of clearance. Special structural support will be required if there is less than 18 inches clearance. The minimum horizontal clearance should be 5 feet. Clearance refers to the distance from the outside of the sanitary sewer pipe to the outside of the storm sewer pipe.
2. **Protection of Water Supplies:** (from Iowa DNR's [Iowa Wastewater Facilities Design Standards](#), Chapter 12, Section 12.5.8)
  - a. **Wells:** Do not lay sewers constructed of standard sewer materials within 75 feet of a public well or 50 feet of a private well. Sewers constructed of water main materials may be laid within 75 feet of a public well and within 50 feet of a private well but no closer than 25 feet to either.
  - b. **Horizontal Separation of Gravity Sanitary and Combined Sewers from Water Mains:** Separate sanitary and combined sewers and water mains by at least 10 feet measured edge to edge unless it is impossible to do so. When not possible to maintain a 10 feet horizontal separation, maintain a minimum separation of 3 feet and utilize one of the following within 10 feet measured edge to edge:
    - 1) the top of a sewer main is at least 18 inches below the bottom of the water main, and
    - 2) the sewer is placed in a separate trench or in the same trench on a bench of undisturbed earth at a minimum horizontal separation of 3 feet from the water main.

When it is impossible to obtain the required horizontal clearance of 3 feet and a vertical clearance of 18 inches between sewers and water mains, construct the sewers of water main materials meeting both a minimum pressure rating of 150 psi and the requirements of [SUDAS Specifications Section 5010, 2.01](#) or enclose the water main in a watertight casing pipe with an evenly spaced annular gap and watertight end seals. However, provide a linear separation of at least 2 feet.

- c. **Horizontal Separation of Water Mains from Sanitary and Combined Sewer Manholes:** Ensure water pipes do not pass through or come in contact with any part of a sanitary or combined sewer manhole. Maintain a minimum horizontal separation of 3 feet.
- d. **Separation of Sanitary Sewer Force Mains from Water Mains:** Separate sanitary sewer force mains and water mains by a horizontal distance of at least 10 feet unless:
  - 1) the force main is constructed of water main materials meeting a minimum pressure rating of 150 psi and the requirements of [SUDAS Specifications Section 5010, 2.01](#) and
  - 2) the sewer force main is laid at least 4 linear feet from the water main.
- e. **Separation of Sanitary Sewers and Water Main Crossovers:** Vertically separate sanitary sewers crossing under any water main by at least 18 inches when measured from the top of the sewer to the bottom of the water main. If physical conditions prohibit the separation, do not place the sewer closer than 6 inches below a water main or 18 inches above a water main. Maintain the maximum feasible separation distance in all cases.

When the sanitary sewer crosses over or is less than 18 inches below a water main utilize one of the following within 10 feet measured edge-to-edge horizontally, centered on the crossing: locate one full length of sewer pipe of water main material so both joints are as far as possible from the water main. Ensure the sewer and water pipes are adequately supported and have watertight joints. Use a low permeability soil for backfill material within 10 feet of the point of crossing.

- 1) Construct sanitary sewer pipe of water main material.
  - 2) Enclose the water main in a watertight casing pipe with an evenly spaced annular gap and watertight end seals.
- f. Exceptions:** Should physical conditions exist such that exceptions to b through e above are necessary, the design engineer must detail how the sewer and water main are to be engineered to provide protection equal to that required by these sections.
- 3. Sewer Crossing Under a Waterway:** (from Iowa DNR's Iowa Wastewater Facilities Design Standards, Chapter 12, Section 12.5.11)

The top of all sewers entering or crossing streams shall be at a depth below the natural bottom of the stream bed sufficient to protect the line. One foot of cover over the top of the line is required where the sewer is located in rock or cased and three feet of cover is required in other material. In major streams, more than the three feet of cover may be required.

In paved channels, the top of the sewer line should be placed below the bottom of the channel pavement. Sewer outfalls, headwalls, manholes, gate boxes, or other structures shall be so located that they do not interfere with the free discharge of flood flows of the stream. Sewers located along streams shall be located outside of the stream bed.

Sewers entering or crossing streams shall be constructed of cast or ductile pipe with mechanical joints or shall be so otherwise constructed that they will remain water tight and free from changes in alignment or grade. Sewer systems shall be designed to minimize the number of stream crossings. The stream crossings shall be designed to cross the stream as nearly perpendicular to the stream flow as possible. Construction methods that will minimize siltation shall be employed. Material used to backfill the trench shall be stone, coarse aggregate, washed gravel, or other materials which will not cause siltation. Upon completion of construction, the stream shall be returned as near as possible to its original condition. The stream banks shall be seeded and planted, or other methods employed to prevent erosion. The design engineer shall include in the project specifications the method or methods to be employed in the construction of sewers in or near streams to provide adequate control of siltation.

- 4. Aerial Crossings:** (from Iowa DNR's Iowa Wastewater Facilities Design Standards, Chapter 12, Section 12.5.12)

Support shall be provided at all joints in pipes utilized for aerial crossings. The supports shall be designed to prevent overturning and settlement.

Precautions against freezing, such as insulation and increased slope, shall be provided. Expansion jointing shall be provided between above-ground and below-ground sewers.

For aerial stream crossings the impact of flood waters and debris shall be considered. The bottom of the pipe should be placed no lower than the elevation of the 50-year flood.

- 5. Drainage Courses:** Consideration should be given to providing additional depth below the streambed or erosion protection in the case of potentially erodible drainage courses.

## H. Depth of Sewer

Gravity sewers should be deep enough to serve basements, assuming a 2% grade plus adequate allowance for pipe fittings on house sewers (absolute minimum of 1%). They should have a minimum depth to the top of pipe of 8 feet unless the sewer can serve existing basements at a lesser

depth. For those structures with no basements or when a high ground water table is encountered, depths less than 8 feet may be allowed. In either case, the sewer should be well below the frost line at all points and lower than any water lines placed in the same street. Insulation should be provided for sewers that cannot be placed at a depth sufficient to prevent freezing. For sewers greater than 12 feet deep as measured at the building line, provide risers on service stubs. Maximum depth of sewer should not exceed depth recommended by the pipe manufacturer.

## I. Location of Sanitary Sewers

### 1. Sanitary Sewers in Street Right-of-way:

- a. Sanitary sewers parallel to the right of way may be placed in the center of the street or behind the back of curb. Contact Jurisdiction for allowable location.
- b. Sanitary sewers perpendicular to the street should follow Iowa DNR clearance requirements between storm sewer, water mains, and other utilities.

### 2. Sanitary Sewers Outside of Street Right-of-way:

- a. Sanitary sewers will be placed in a sanitary sewer public easement. Public sanitary sewer easements should have a minimum total width of 20 feet or two times the depth of the sewer, whichever is greater, with the sanitary sewer centered in the easement. Additional width may be required by the Jurisdictional Engineer to insure proper access for maintenance equipment.
- b. Provisions must be made to provide public access to the sanitary sewer easements from public streets.

## J. Alignment of Sewers

Sewers less than 24 inches in diameter should be straight between manholes. Curvilinear alignment may be allowed in sewers 24 inches and greater but must start and end at manholes. Minimum grades must be increased to provide average full flow velocities equivalent to sewers with straight alignment. Submittal of the curvilinear alignment design to the Iowa DNR is required.

## K. Sewer Linings for Ductile Iron Pipe

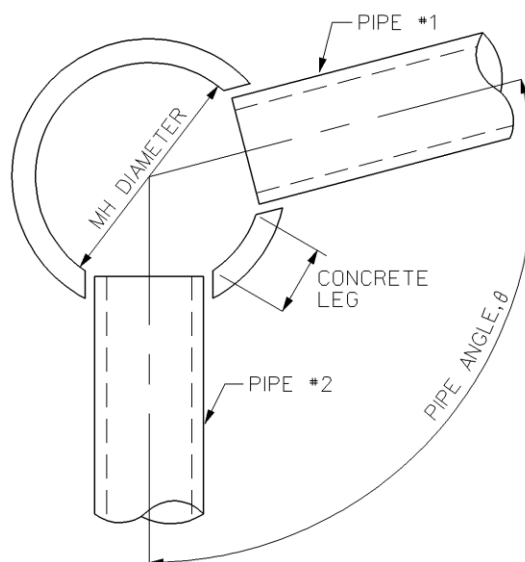
If ductile iron pipe is used for sanitary sewer pipe material, the pipe must be lined for sulfate protection. Allowable linings include calcium aluminate cement, polyethylene, ceramic epoxy, or coal tar epoxy.

## L. Manholes

1. **Access to Manholes:** Manholes in street right of way must be located in areas which allow direct access by maintenance vehicles. Areas outside the street right of way should be subject to the approval of the Jurisdictional Engineer.
2. **Standard Manhole:** The minimum size for a manhole is 48 inches in diameter. Most Jurisdictions require eccentric manholes with the manhole opening over the centerline of the pipe or on an offset not to exceed 12 inches. The remaining Jurisdictions allow for concentric manholes. Check with Jurisdictional Engineer regarding use of eccentric and concentric manholes and built-in steps.



3. **Special Manholes:** For square or rectangular manholes, the manhole openings should be over the centerline of the pipes or on an offset not to exceed 12 inches. The distance from the centerline of the manhole opening to the face of the inside manhole wall should not exceed 30 inches to better facilitate video inspection and maintenance equipment. This may require more than one manhole opening.
4. **Manhole Locations:**
  - a. Manholes should be installed:
    - 1) at the end of each sewer line
    - 2) at all changes in pipe size, grade or alignment, and at bends
    - 3) at all sewer pipe intersections
    - 4) at intervals not exceeding 400 feet for sewers 24 inches or less or at intervals not exceeding 500 feet when adequate cleaning equipment is available. Spacing of manholes over 500 feet may be permitted in sewers larger than 24 inches if the owner has adequate cleaning equipment.
  - b. Cleanouts may be substituted, with Jurisdictional approval, for mains shorter than 150 feet.
5. **Manhole Drop:**
  - a. Change in alignment - 0 to 45 degrees - none.
  - b. Change in alignment across manhole - greater than 45 degrees - 0.10 feet (minimum), 0.30 feet (preferred).
6. **Dissimilar Pipe Sizes:** Change in pipe size - match eight-tenths full points.
7. **Maximum Manhole Drop:** A drop connection is required when the invert to invert drop is greater than 2 feet, except when the eight-tenths points match exceeds 2 feet.
8. **Manhole Frames and Covers:** Bolt-down covers are required on manholes subject to inundation such as in flood plains, detention areas, and storm water easement areas subject to "major storms." Minimum access diameter of 27 inches is required.
9. **Manhole Coatings:** Exterior waterproof coating (bituminous) is not required unless specified by the Jurisdiction. Interior coatings should be required if sulfate protection is necessary. Drop sections should be coated along with the manhole to protect against sulfate.
10. **Manhole Sizes:** When utilizing circular precast manholes, it is necessary to determine the diameter required to maintain the structural integrity of the manhole. As a general rule, a minimum concrete leg of 6 inches should remain between the manhole blockouts for adjacent pipes. Determining the required manhole diameter to provide this minimum distance may be done as follows:
  - a. Determine the diameters of, and the angle between, the two pipes in question. If more than two pipes connect at the manhole, the adjacent pipes with the critical configuration (i.e. smallest angle and largest pipes) should be selected. If the critical configuration is not apparent, calculations may be required for all adjacent pipes.



- b. Determine the blockout diameter. The blockout is the opening provided in the manhole for the pipe. Blockout dimensions are based on the outside diameter of the pipe, plus an additional distance to accommodate the integrally cast gasket for sanitary sewer pipe. For storm sewer, a circular or doghouse type opening is provided with additional clearance to allow for the insertion of the pipe and sufficient space to accommodate placement of concrete grout in the opening. Typical blockout dimensions for various pipe sizes and materials are given in Table 3C-1.02.

**Table 3C-1.02: Manhole Blockout Sizes**

Pipe Diameter (inches)	Manhole Blockout (inches)			
	<i>RCP</i>		<i>PVC</i>	<i>DIP</i>
	<i>Sanitary (gasketed)</i>	<i>Storm (non-gasketed)</i>		
8	N/A	N/A	12	12
10	N/A	N/A	14	14
12	24	21	16	16
14	N/A	N/A	16	18
15	26	24	19	N/A
16	N/A	N/A	N/A	20
18	30	28	22	23
20	N/A	N/A	N/A	24
21	35	31	25	N/A
24	38	35	28	29
27	42	38	31	N/A
30	44	42	35	36
33	47	47	N/A	N/A
36	52	48	42	41
42	59	57	N/A	N/A
48	66	64	N/A	N/A
54	72	71	N/A	N/A
60	79	78	N/A	N/A

- c. Determine the diameter of the manhole required to provide the minimum concrete leg dimension. This diameter may be calculated with the following equation:

$$MH_d = \frac{BO_1 + BO_2 + 2CL}{\theta \times \left(\frac{\pi}{180}\right)} \quad \text{Equation 3C-1.01}$$

Where:

$MH_d$  = Manhole Diameter, inches

$BO$  = Blockout Diameter, inches

$CL$  = Minimum Concrete Leg Length, inches (6 inches)

$\theta$  = Angle between pipe centerlines, degrees

- d. Round the minimum manhole diameter calculated, up to the next standard manhole size (48 inches, 60 inches, 72 inches, 84 inches, 96 inches, 108 inches, or 120 inches).
- e. Verify that the manhole diameter calculated is sufficient for the largest pipe diameter (see Table 3C-1.03).

**Table 3C-1.03:** Minimum Manhole Diameter Required for Pipe Size

Pipe Diameter (inches)	Minimum Manhole Diameter Required for Pipe (inches)		
	<i>RCP</i>	<i>PVC</i>	<i>DIP</i>
8	N/A	48	48
10	N/A	48	48
12	48	48	48
14	N/A	N/A	48
15	48	48	N/A
16	N/A	N/A	48
18	48	48	48
20	N/A	N/A	48
21	48	48	N/A
24	48	48	48
27	60	48	N/A
30	60	60	60
33	60	N/A	N/A
36	60	60	60
42	72		
48	84		
54	96		
60	96		

## M. Sewer Services

1. Each structure or complex under one ownership should be served by a separate service line connected to a public or private sanitary sewer. The service should be perpendicular to the sewer line where possible, with tee or wye connections to the public sewer.
2. Sewer services must meet all the Jurisdiction's requirements.
3. Unless individual onsite treatment systems are allowed, all platted lots of a proposed subdivision are to have separate sewer services for each owner and be adjacent to a public sanitary sewer main without crossing any adjacent properties. Additional sewer services will be required for each additional principal structure on a given lot.
4. Sewer services across one property to provide service to an adjacent property should be avoided. If a condition exists that requires crossing an adjacent property, the following should be met:
  - a. A private utility easement is provided that is 10 feet wide (minimum) or two times the depth, whichever is greater.
  - b. The Jurisdictional Engineer determines that a sewer main extension will not be necessary and in all likelihood no future development of abutting properties will benefit from a main extension.
5. Connect sewer services to sewer mains. Connections directly to manholes will require Jurisdiction's approval. Individual single family residential services will not be connected to a manhole unless at terminal manholes which cannot possibly be extended in the future. The services may not enter the manhole at greater than 2 feet above the invert of the outlet. Sewer flow channels in the manhole bottom must be provided for all services. Commercial and multi-family sewer services can be connected, with Jurisdictional approval, to a manhole on the collector sewer if flows are large enough to keep the manhole clean.

## N. Force Mains

1. **Minimum Velocity:** 2 fps at minimum pumping condition.
2. **Air Release Valves:** Should be located at high points to control the excess accumulation of sewage gases.

## O. Siphons

In general, sanitary sewer siphons should be avoided and will only be accepted where no feasible alternative exists and where there will be sufficient flow in the sewer so that maintenance will be held to a minimum. All siphons should have a minimum of two barrels with a minimum pipe size of 6 inches diameter. Design provisions should be made for diversion of normal flow to either barrel for maintenance. Sufficient head should be provided to insure velocities of at least 3 feet/second for average flow.



# Pipe and Manhole Materials

**Table 3D-1.01: Sanitary Sewer Pipe Materials**

Typical Application	Pipe Material	Size Range	Standard	Thickness Class (min.)	Pipe Stiffness (min.)	Joints
Gravity Flow	Solid Wall PVC	8" to 15"	ASTM D 3034	SDR 26	115 psi	Bell and Spigot
Gravity Flow	Solid Wall PVC	8" to 15"	ASTM D 3034	SDR 35	46 psi	Bell and Spigot
Gravity Flow	Solid Wall PVC	18" to 27"	ASTM F 679	N/A	46 psi	Bell and Spigot
Gravity Flow	Corrugated PVC	8" to 10"	ASTM F 949	N/A	115 psi	Bell and Spigot
Gravity Flow	Corrugated PVC	12" to 36"	ASTM F 949	N/A	46 psi	Bell and Spigot
Gravity Flow	Closed Profile PVC	21" to 36"	ASTM F 1803	N/A	46 psi	Bell and Spigot
Gravity Flow	Truss Type PVC	8" to 15"	ASTM D 2680	N/A	200 psi	Bell and Spigot
Gravity Flow	RCP	18" to 144"	ASTM C 76	Class IV Wall B	4,000 psi	Tongue and Groove
Gravity Flow	Ductile Iron	8" to 54"	AWWA C151	Class 52	300 psi	MJ or Push on
Gravity Flow	VCP	8" to 42"	ASTM C 700	N/A	N/A	Bell and Spigot
Gravity Flow	Double Walled Polypropylene	12" to 30"	ASTM F 2736	N/A	46 psi	Bell and Spigot
Gravity Flow	Triple Walled Polypropylene	30" to 36"	ASTM F 2764	N/A	46 psi	Bell and Spigot
Force Main	Ductile Iron	4" to 64"	AWWA C151	Class 52	300 psi	MJ or Push on
Force Main	PVC	4" to 30"	AWWA C 900	DR 18	150 psi	Bell and Spigot

Gravity mains greater than 42 inches in diameter will be lined reinforced concrete pipe or ductile iron.  
 Force mains greater than 30 inches in diameter will be ductile iron.

**Table 3D-1.02: Manhole Types**

<b>Figure No.<sup>1</sup></b>	<b>Type</b>	<b>Description</b>	<b>Depth Restrictions</b>
<a href="#">6010.301</a>	<a href="#">SW-301</a>	Circular Sanitary Sewer Manhole	N/A
<a href="#">6010.302</a>	<a href="#">SW-302</a>	Rectangular Sanitary Sewer Manhole	12' max.
<a href="#">6010.303</a>	<a href="#">SW-303</a>	Sanitary Sewer Manhole Over Existing Sewer	N/A
<a href="#">6010.304</a>	<a href="#">SW-304</a>	Rectangular Base/Circular Top Sanitary Sewer Manhole	12' min. to 22' max.
<a href="#">6010.305</a>	<a href="#">SW-305</a>	Tee-section Sanitary Sewer Manhole	N/A

<sup>1</sup> The figure numbers listed in this table refer to figures from the SUDAS Specifications.

**Table 3D-1.03: Manhole Casting Types**

	<b>Figure No.</b>	<b>Casting Type</b>	<b>Number of Pieces</b>	<b>Ring/Cover</b>	<b>Bolted Frame</b>	<b>Bolted Cover (Floodable)</b>	<b>Gasket</b>
Sanitary Sewer	<a href="#">6010.601</a>	<a href="#">SW-601</a> , A	2	Fixed	Yes	No	Yes <sup>1</sup>
	<a href="#">6010.601</a>	<a href="#">SW-601</a> , B	3	Adjustable	No	No	Yes <sup>1</sup>
	<a href="#">6010.601</a>	<a href="#">SW-601</a> , C	2	Fixed	Yes	Yes	Yes <sup>1</sup>
	<a href="#">6010.601</a>	<a href="#">SW-601</a> , D	3	Adjustable	No	Yes	Yes <sup>1</sup>
Storm Sewer	<a href="#">6010.602</a>	<a href="#">SW-602</a> , E <sup>2</sup>	2	Fixed	Yes	No	No
	<a href="#">6010.602</a>	<a href="#">SW-602</a> , F <sup>2</sup>	3	Adjustable	No	No	No
	<a href="#">6010.602</a>	<a href="#">SW-602</a> , G <sup>2</sup>	2	Fixed	No	No	No

<sup>1</sup> Machine bearing surfaces required.

<sup>2</sup> Storm sewer casting may include environmental symbols and/or messages such as "DUMP NO WASTE, DRAINS TO RIVER."



## References

---

American Concrete Pipe Association. *Design Manual Concrete Pipe*. 2011.

American Water Works Association. *Water Distribution*.

Ductile Iron Pipe Research Association. *Handbook of Ductile Iron Pipe*.

*Environmental Protection Agency Guidelines*

Fair, Geyer, and Okun. *Water Supply and Wastewater Removal*. Vol. 1. 2010.

Great Lakes Standard Sewage Works. *10 State Standards*. 2004.

*Iowa Department of Natural Resources Design Standards*

WEF Manual of Practice No. FD-5. *ASCE Manual of Practice No. 60: Gravity Sanitary Sewer Design and Construction*.

